



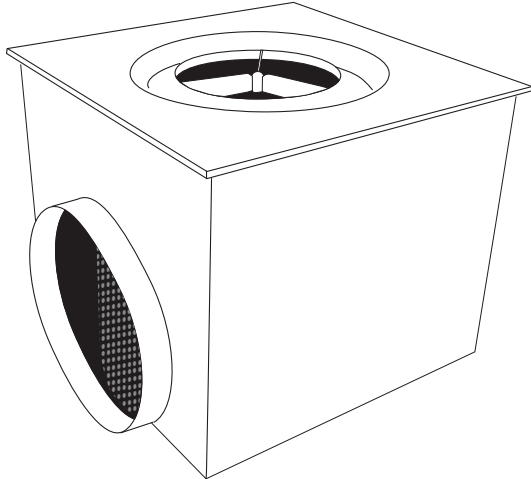
## WKD 381 Submittal



**NAD Klima Ontario**  
2840, Argentia Road, Unit 6, Mississauga (Ont) L5N 8G4  
(416) 860-1067  
ontario@nadklima.com

**NAD Klima**  
144 rue Léger, Sherbrooke (Qué) J1L 1L9  
(819) 780-0111 • 1 866 531-1739  
info@nadklima.com

Date	<input type="text"/>
Project	<input type="text"/>
Engineer	<input type="text"/>
Contractor	<input type="text"/>

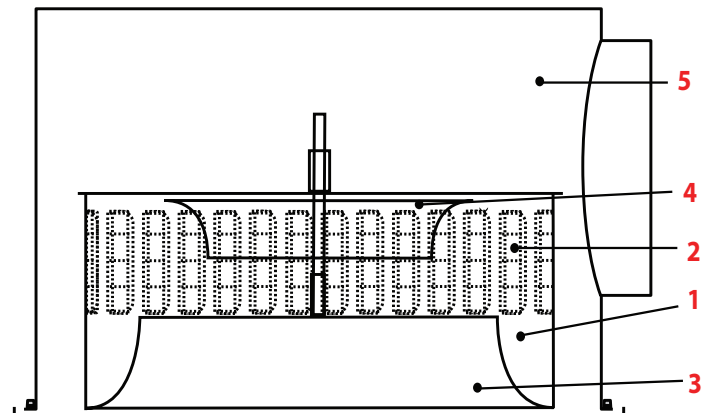


### The diffuser

- Swirl air diffuser.
- Square or round
- Made of steel.
- Adjustable nozzle to guide the air flow.
- Turbulence chamber composed of a round plate with vertically placed eccentric rollers.
- Manual or motorized adjustment mechanism.
- Powder coated with a polyester TGIC-free paint.
- RAL colour, chosen by client.
- Easy to clean

### Configuration

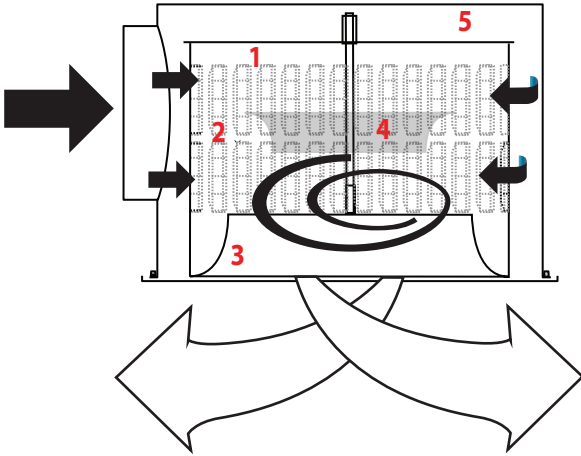
The WKD 381 diffuser is composed of a cylindrical swirl chamber (1), around which are placed eccentric rollers to direct air (2) to the deflector (3), and a manually or motorized adjustable long-range nozzle (4). These components are located in a plenum (5).



## WKD - 381 - Flow and direction of the air

### Mode of operation

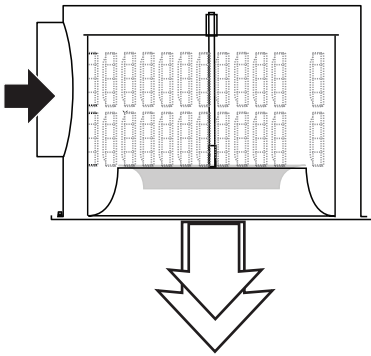
The air flow entering the turbulence chamber (1) through the eccentric rollers (2) creates an intensive helical movement, depending on positioning of the nozzle (4). The airflow at the deflector's outlet (3) will produce an induction and a variable penetration.



### Operation



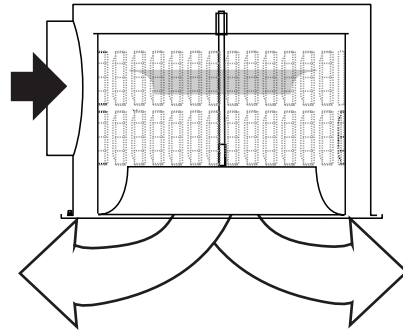
Heating



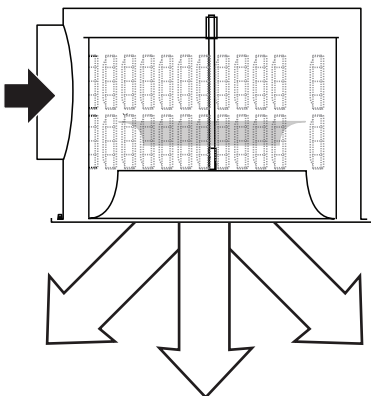
**Nozzle Position 1**  
Stable vertical air flow  
with long penetration



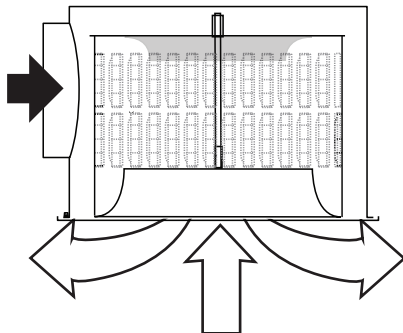
Cooling



**Nozzle Position 3**  
Horizontal airflow with a  
reduced helical effect and  
a relatively low scope



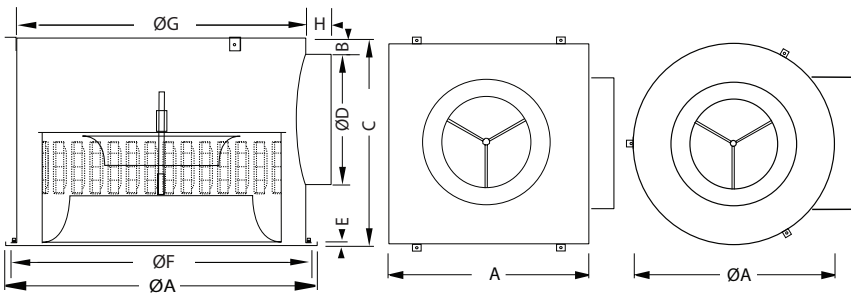
**Nozzle Position 2**  
Vertical jet  
with helical effect



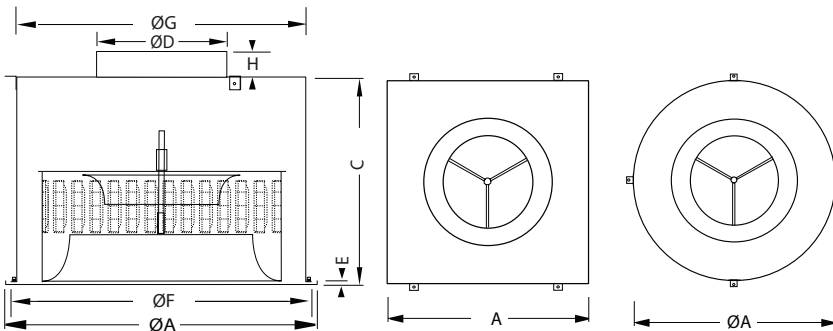
**Nozzle Position 4**  
Horizontal airflow  
(without influence from  
the ceiling) with a  
maximum horizontal  
scope and an elevated  
primary induction

## WKD - 381 - Dimensions and weight

### Plenum with side inlet



### Plenum with top inlet



	300/1	500/1	600/1	600/2	600/3
Size A	300	502	603	603	603
Size ØA	300	502	600	600	600
Size B	33	33	33	33	33
Size C	403	403	403	503	603
Size ØD	150	200	250	350	400
Size E (Q)	12	12	12	12	12
Size E (R)	7	7	7	7	7
Size F	280	482	580	580	580
Size G	260	462	560	560	560
Size H	50	50	50	50	50
Weight (kg)	16,2	24,7	29,62	31,75	33,87

Q = square  
 R = round  
 Ø = diameter  
 = side of the square

## WKD - 381 - Codification

WKD 381							Product
Q = Square (DN 600 only) R = Round							Configuration
300, 500, 600							Nominal dimension
300, 502, 603, RND							Outer size
1 = 100 mm 2 = 200 mm (DN 600 only) 3 = 300 mm (DN 600 only)							Slot height
9003 = White 9010 = Cream 00SB = Solar Black (Standard matte black) 00SM = Silver Matte (Standard metallic grey) _____ = RAL color (write the RAL color number)							Diffuser color
T = Plenum with top inlet S = Plenum with side inlet							Plenum
H = Hand adjustment M = Motorized adjustment							Adjustment
WKD381	Q	300	300	1	9003	T H	Exemple