



VAL

Ceiling diffuser
catalog 1.1.2





VAL

Table of content

| | |
|---|---|
| Description, areas of application et benefits | 1 |
| Configuration and mode of operation..... | 2 |
| Aerodynamic data and scopes of application | 3 |
| Diagrams | |
| - Horizontal and vertical airflow | 4 |
| - Cooling and heating / examples..... | 5 |
| Dimensions | 6 |
| Specifications | 7 |
| Codification | 7 |

Presentation and benefits



The VAL variable air diffuser includes an internal control dial allowing a manual or motorized adjustment, to adapt to diverse situations.

The airflow's distinctive characteristics allow an installation of the diffuser recessed into the ceiling, or suspended at heights up to 15 m with a flow feed reaching 3000 m³/h.

Not requiring a plenum, the VAL diffuser is connected directly to the air duct or using an elbow.

Benefits

- High, adjustable depth of penetration
- Suspended or recessed installation
- Suitable for heating and cooling
- Manual or motorized adjustment
- Attractive appearance

Domaines d'application

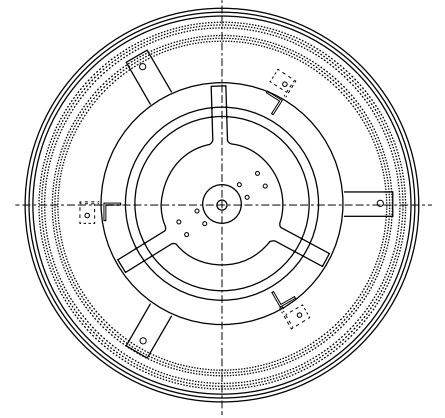
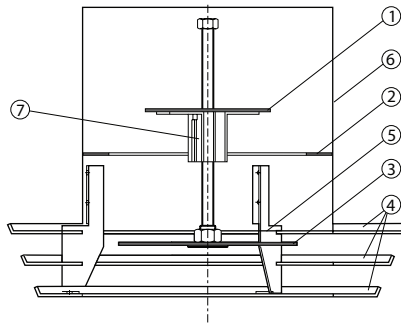
- Individual offices
- Administration areas
- Large retail stores
- Meeting rooms
- Multi-purpose rooms
- Cinemas
- Sport rooms
- Industrial halls
- Conference or convention halls

Configuration and mode of operation

The VAL air diffuser comprises a valve (1), a throttle ring (2), a connecting frame (3) and a second control ring (4). The outer rings' design gives a conical appearance.

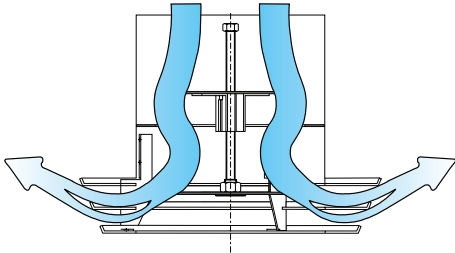
The different parts are attached to the diffuser's main body (6) with spacers (5), forming a perfectly symmetrical unit.

The valve is equipped with a regulating mechanism (7), enabling a manual vertical movement of the connecting frame (3).



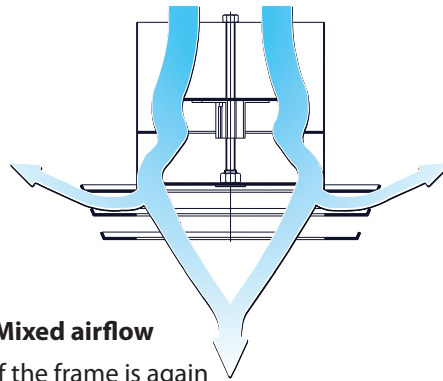
As an option, the diffuser can be motorized.

Mode of operation



Radial airflow

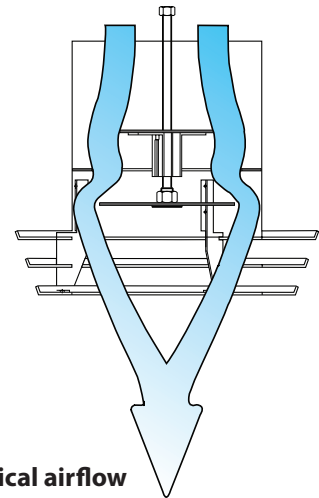
When the connection plate is in a lower position, the pipe airflow is stopped by the valve and subsequent ring and is gently deflected upwards by the frame.



Mixed airflow

If the frame is again adjusted to a vertical position, the horizontal air is reduced and deviated upwards, in favour of a vertical airflow.

The ratio between the two can be modified to meet the user's needs, allowing an adaptation of the horizontal or vertical air flows.



Vertical airflow

When it is set to an upper position, the connection plate pushes the air in a vertical direction, causing a high penetration rate.



Radial stream - Cooling operation



Axial stream - Heating operation

Aerodynamic data and range of application

Aerodynamic data

| | L_{WA}^* dB | V_0 m ³ /h | ΔP Pa | Minimal space (m) | x_{crit} m | V_H m ³ /h | y m |
|--------|------------------|----------------------------|------------------|----------------------|-----------------|----------------------------|--------|
| DN 250 | 30 | 390 | 32 | 5,4 | 4,4 | 280 | 4,0 |
| | 35 | 470 | 46 | 7,0 | 5,3 | 340 | 5,0 |
| | 40 | 550 | 62 | 8,6 | 6,1 | 400 | 5,8 |
| DN 315 | 30 | 540 | 21 | 6,4 | 3,0 | 380 | 4,4 |
| | 35 | 650 | 31 | 8,2 | 4,1 | 450 | 5,2 |
| | 40 | 770 | 43 | 10,0 | 5,1 | 540 | 6,2 |
| DN 400 | 30 | 900 | 24 | 9,5 | 3,8 | 660 | 5,8 |
| | 35 | 1090 | 36 | > 10,0 | 4,5 | 800 | 7,0 |
| | 40 | 1300 | 55 | > 10,0 | 5,4 | 930 | 8,3 |

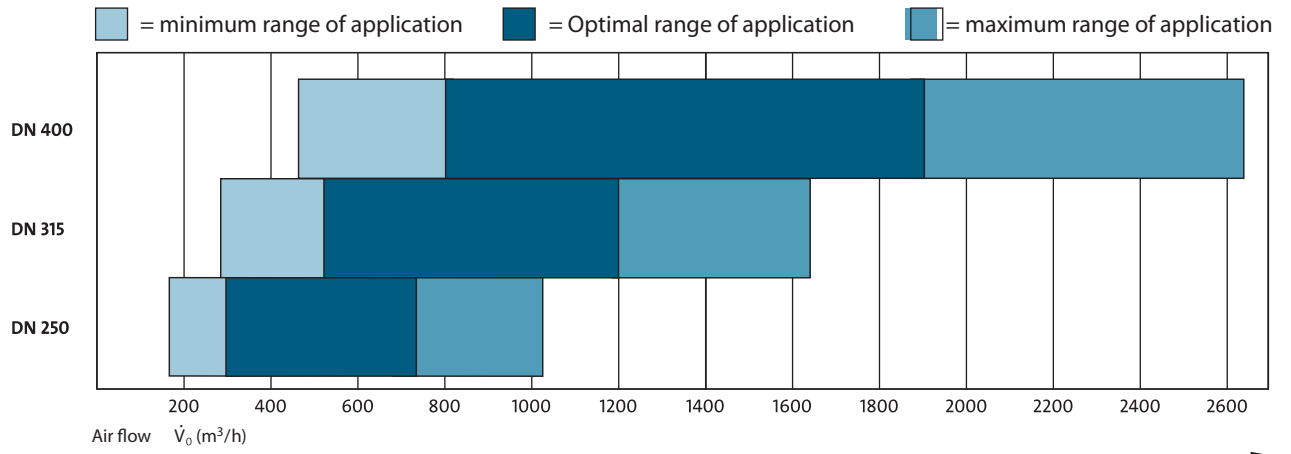
Specifications: Minimum ceiling height of 3 m so that the airflow does not exceed 0.20 m/s in the occupied zone.

The depth of penetration in heating mode y is $\Delta T = 10$ K (raised plate).

Critical airflow trajectory $\Delta T = -8$ K (plate not raised)

*The values L_{WA} apply to the cooling and heating functions.

Ranges of application



Diagrams

VAL horizontal airflow

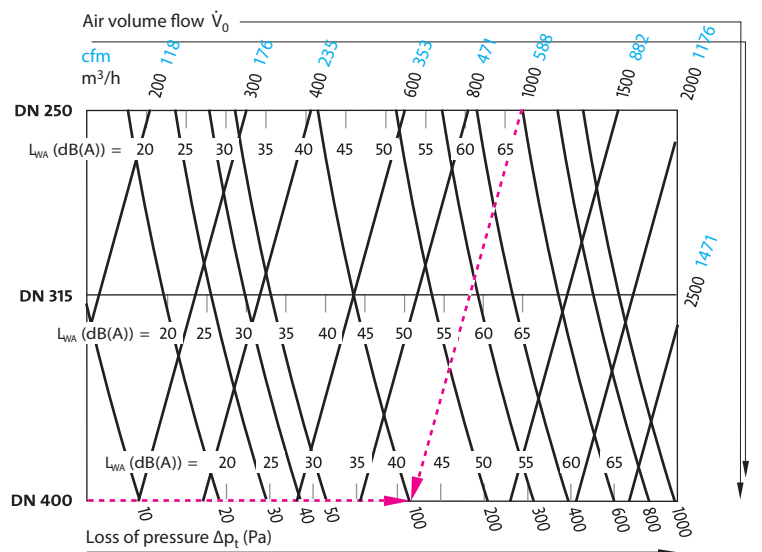
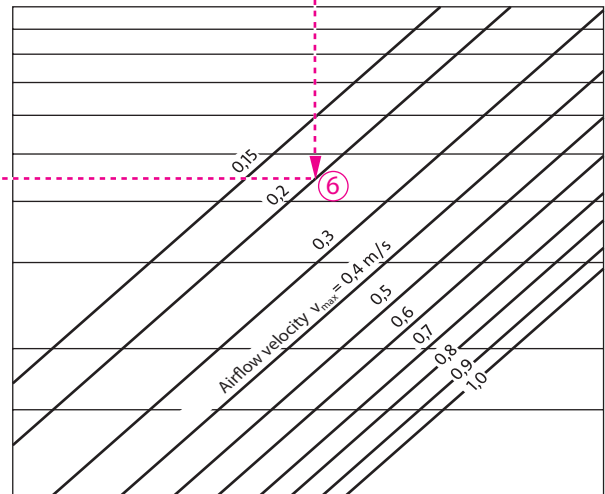
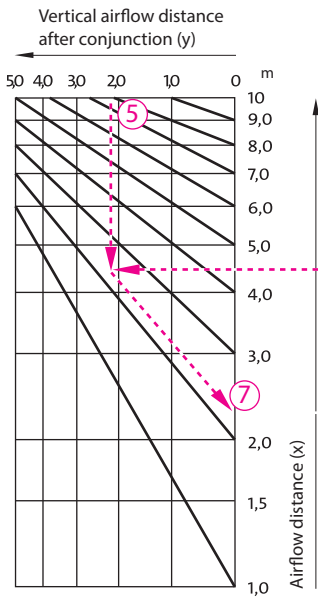
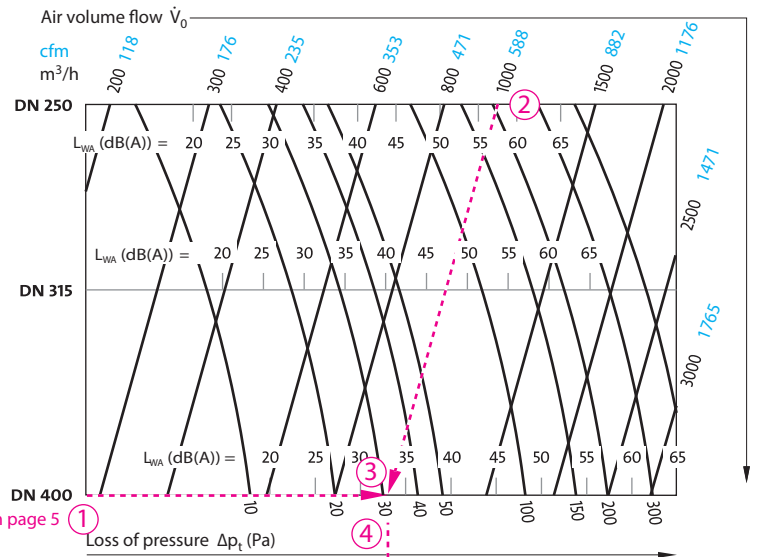
In the case of a ceiling level installation, speeds are multiplied by 1.4.

VAL vertical airflow

In the 50% radial / 50% axial position, the data will be corrected:

$$L_{WA} = L_{WA} - 3 \text{ dB}$$

$$\Delta P_t = \Delta P_t \times 0.61$$

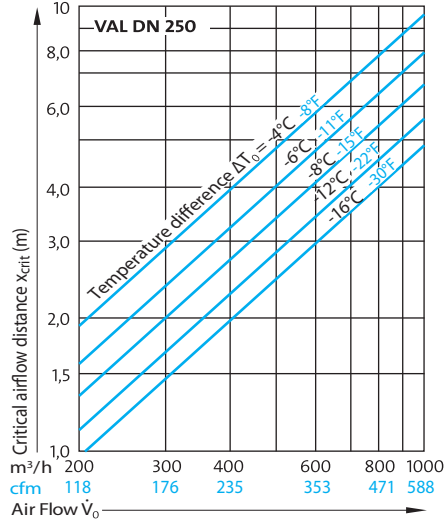
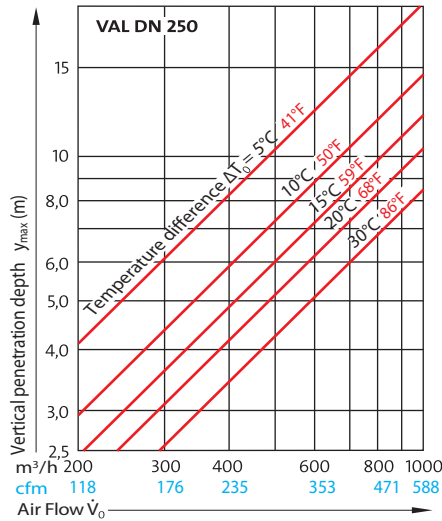


Note:

Acoustic power in dB (A)
 = Sound level NR + 5

Room absorption has not been considered.

Cooling and heating mode diagrams Examples

Critical airflow distance in cooling mode

Vertical penetration depth in heating mode

Example 1 - Data:

Height of the space: 6 m
 Height of installation: 4 m (freely suspended)
 Speed of the airflow at head height (1.8 m): 0.2 m/s
 Airflow \dot{V}_0 : 1000 m^3/h

Required:

- 1) Nominal dimension
- 2) Acoustic power L_{WA}
- 3) Loss of pressure
- 4) Minimal distance between the diffusers

Solution:

1) The "Area of application" diagram uses the nominal dimension of DN 400.
 2) The "Horizontal airflow" diagram is read for the DN 400 ① and for an airflow of 1000 m^3/h : ②
 acoustic power: 31 dB(A) ③, total loss of pressure: 31 Pa ④ for $y = h - 1.8 = 4.0 \text{ m} - 1.8 \text{ m} = 2.2 \text{ m}$ ⑤
 and is assumed to be $v = 0.2 \text{ m/s}$ ⑥ a distance between the diffusers of at least $2 \times 2.1 \text{ m} = 4.2 \text{ m}$ ⑦

Example 2 - Data:

Nominal dimension: DN 400
 Air flow: 1000 m^3/h
 Difference in temperature: -6°C

Required:

Critical trajectory of airflow

Solution:

From the "Critical trajectory of airflow" diagram, we find: $x_{crit} = 5.0 \text{ m}$

Example 3 - Data:

Nominal dimension: DN 400
 Airflow: 1000 m^3/h

Required:

- Acoustic power and total loss of pressure for:
- 100% axial airflow
 - 50% axial and 50% radial airflow

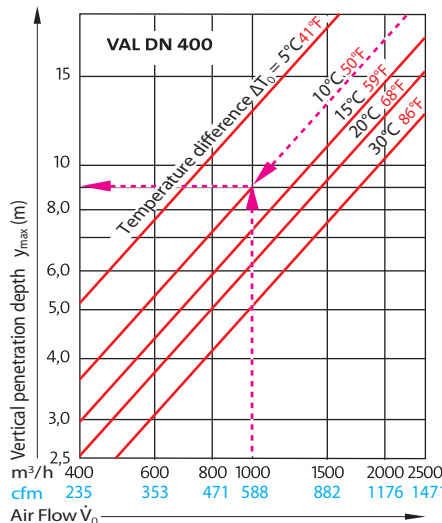
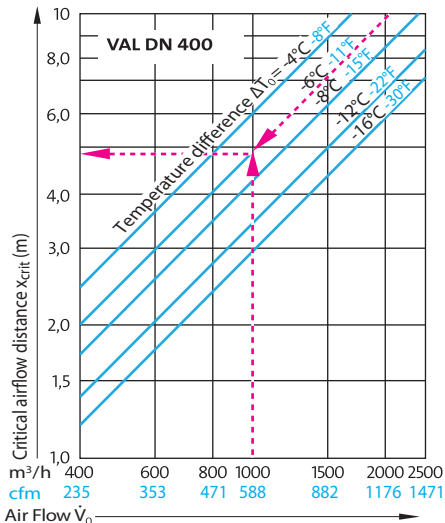
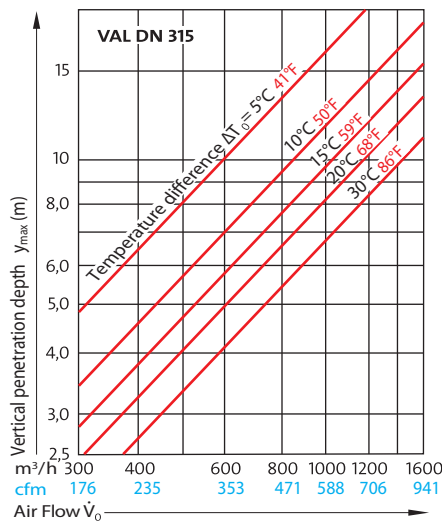
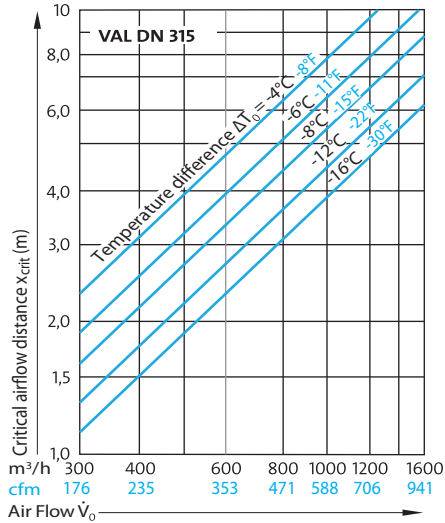
Solution:

The "Vertical airflow" diagram demonstrates that for the 100% axial airflow:

- Acoustic power = 42 dB
- Total loss of pressure = 100 Pa

and for the 50% axial and 50% radial airflow:

- Acoustic power = $42 - 3 = 39 \text{ dB}$
- Total loss of pressure = $100 \times 0.61 = 61 \text{ Pa}$


Example 4 - Data:

Nominal Dimension: DN 400
 Air flow: 1000 m^3/h
 Temperature difference: $+10^\circ\text{C}$

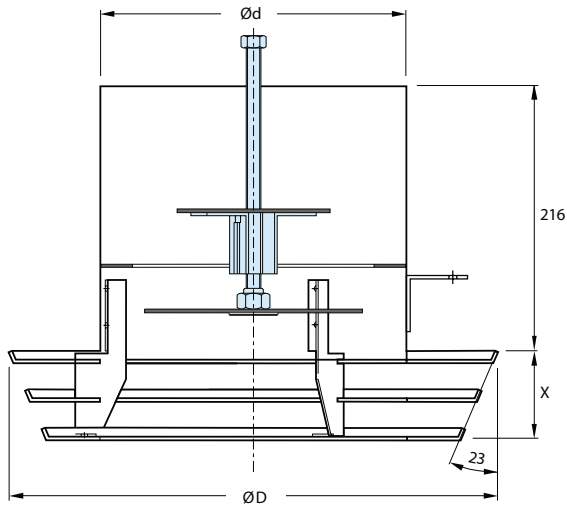
Required:

- Vertical penetration depth for an
- Airflow 100% axial
 - Airflow 50% axial and 50% radial

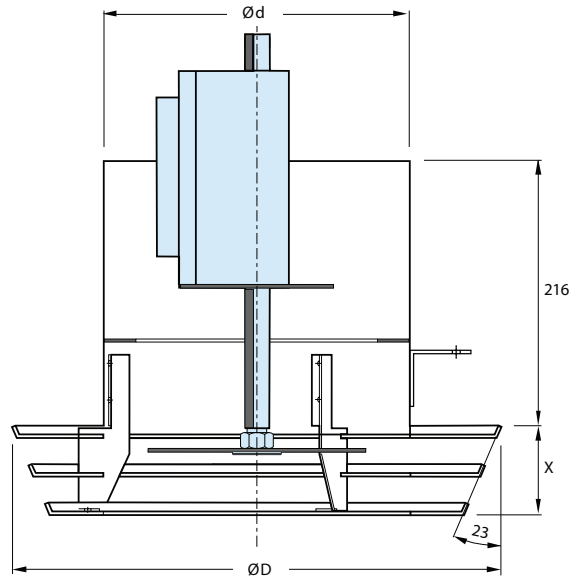
Solution:

From the "Vertical penetration in heating mode" diagram and the corresponding factors of correction, we find for 100% axial airflow: $Y_{max} = 9.0 \text{ m}$, and for 50% axial and 50% radial airflow: $Y_{max} = 9.0 \text{ m} \times 0.5 = 4.5 \text{ m}$.

Dimensions



manual adjustment



motorized adjustment

| | DN 250 | DN 315 | DN 400 |
|-----|--------|--------|--------|
| X | 69 | 86 | 110 |
| Ø D | 406 | 508 | 610 |
| Ø d | 251 | 302 | 403 |



VAL

Specifications and codification

1. Description and physical characteristics

- 1.1 The adjustable VAL diffusers shall consist of a circular duct with three (3) rings guiding the airflow, with a manual or motorized adjustment mechanism.
- 1.2 The adjustment mechanism shall be composed of a deflector, a reduction ring and an adjustable control dial.
- 1.3 The circular duct, deflector and reduction ring shall be made of galvanized steel with a black finish.
- 1.4 The rings and control dial shall be made of aluminum with a white (RAL 9003) finish.

2. Performance

The performance shall be guaranteed by using performance curves or simulation software for critical areas. These curves shall indicate the loss of pressure and the acoustic power generated, and show a cross-section of the critical airflow trajectory in cooling, heating and isothermal modes, with a nominal speed in the occupied zone at the request of the engineer.

3. Connection

The diffuser shall be connected directly to the air duct.

4. Balancing

The NAD Klima diffuser balancing shall be executed by a certified ventilation balancing technician, with a recognized professional certification.

5. Required quality: NAD Klima VAL model

Codification

| | |
|--|--------------------------|
| VAL | Product |
| 250, 315, 400 | Nominal dimension |
| H= Manual adjustment M = Motorized adjustment | Adjustment |
| 9003 = White 9010 = Cream white 00SB = Solar Black (Standard matte black) 00SM = Silver Matte (Standard metallic grey) ____ = RAL color * (write the RAL color number) | Diffuser color |
| VAL - 250 - H - 9003 | Example |

nad
K L I M A

www.nadklima.com

NAD Klima (Head office)

144, rue Léger,
Sherbrooke, QC, J1L 1L9 Canada
T: 819 780-0111 • 1 866 531-1739
F: 819 780-1660s
info@nadklima.com

NAD Klima Ontario

2840, Argentia Road, Unit 6,
Mississauga, ON, L5N 8G4 Canada
T: 416-860-1067
ontario@nadklima.com

MADE IN

CANADA