



SAL 35 Submittal

NAD Klima
144 rue Léger, Sherbrooke (Qué) J1L 1L9
(819) 780-0111 • 1 866 531-1739
info@nadklima.com

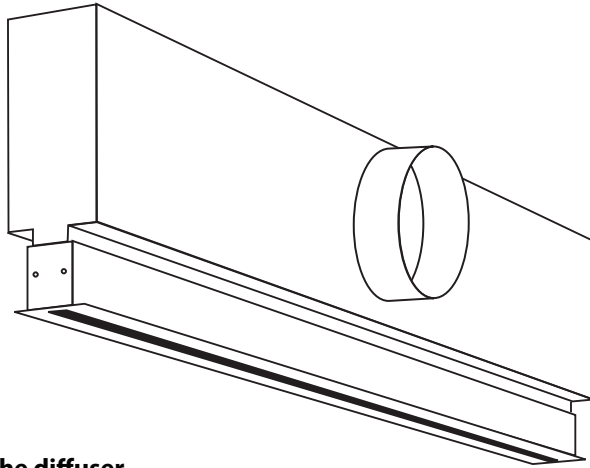
NAD Klima Ontario
2840, Argenta Road, Unit 6, Mississauga (Ont) L5N 8G4
(416) 860-1067
ontario@nadklima.com

Date

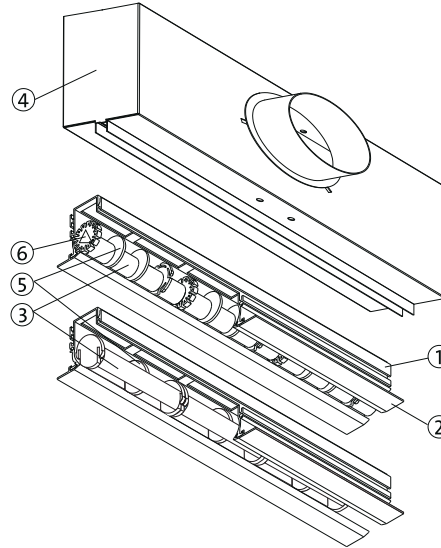
Project

Engineer

Contractor



Configuration



- ① Extruded aluminum profile
- ② Wide or narrow finishing profile
- ③ Eccentric rollers
- ④ Plenum
- ⑤ Air guiding blades
- ⑥ Display and adjustment dial.

The diffuser

- Made of aluminum profiles
- The 100 mm long eccentric rollers allows an adjustment of the air flow pattern over 180 degrees.
- Adapted to fit regular suspended ceilings or classic gypsum ceilings or wall installation.
- Powder coated with a polyester TGIC-free paint.
- Standard colour from the RAL colour chart choose by client.

Le plenum

- Made and tagged by the diffuser's manufacturer
- Made from 24 gauge galvanized steel.
- Plenum include a perforated stabilizing (equalizing) plate.
- Hung with 4 points.
- Adhering to paraseismic standards.
- The inlet shall be centered on the side or on the top of the plenum.
- Calibrated to accommodate the airflow rate.
- Sealed with VOC (volatile organic compounds) emission-free caulking.
- Radial or axial balancing damper available and adjustable through the finished side of the front plate, in order to adjust the air volume.

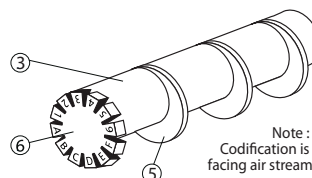
The SAL linear diffuser slots are composed of extruded aluminum (1) with additional wide or narrow finishing profiles (2), eccentric rollers (3), which can rotate on 360 degrees and a plenum (4).

The 100 mm long eccentric rollers (3) offer a low acoustic level and optimal aerodynamics. They possess on their axis multiple air guiding planes (5), a display and adjustment dial (6) on which are alphanumeric characters, allowing the user to define and reproduce the roller settings.

The nozzle roller (3) is the same dimension as the eccentric roller, with a larger effective surface. It is designed for application in locations with high ceilings.

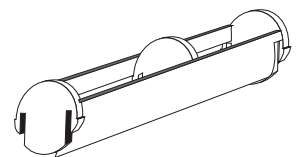
The profiles are attached to the plenum with screws for suspended ceilings and with central screws for gypsum ceilings.

Eccentric roller



Note:
Codification is facing air stream

Nozzle roller



SAL 35 - Adjustment of the air jet direction

Mode of operation

The eccentric rollers and nozzle rollers form, combined with aluminum air guiding slots, an optimal air flow.

The positioning of the eccentric rollers allows an adjustment of the air jet's direction, with or without reduction in the exit area.

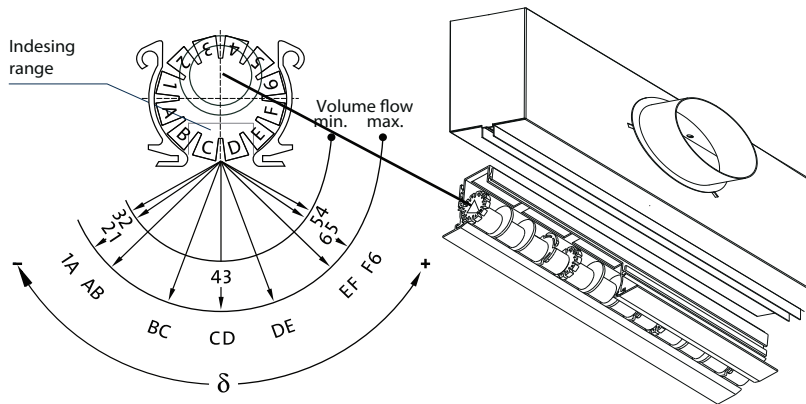
Adjustment of the air jet direction

Thanks to the shape of eccentric rollers and adjustment dial with alphanumeric characters, the direction of the air jet at the diffuser's outlet can vary up to 180°. For each direction, there are two (2) roller positions ("reduced" or "not reduced"), as illustrated in figure B.

During manufacturing, rollers are normally set alternately in position 21 and 65 (diffusion mode).

The nozzle roller can only be set in open and closed positions.

Controlling the direction of airflow



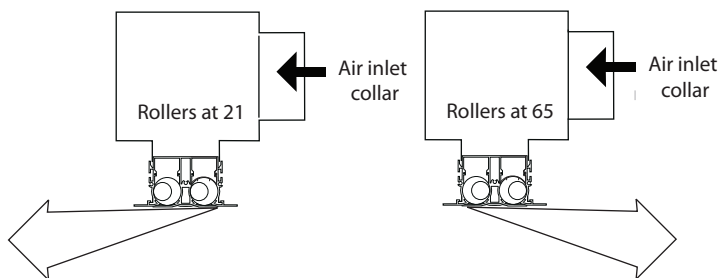
Notes :

The adjustable side of the roller must be to the left of the collar.

During assembly, the NAD label is placed on the same side as the collar of the plenum.

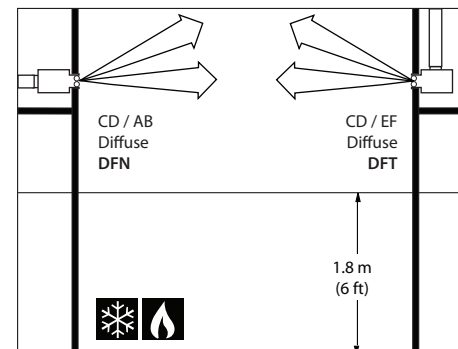
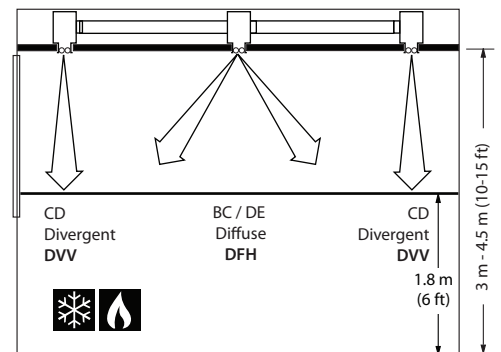
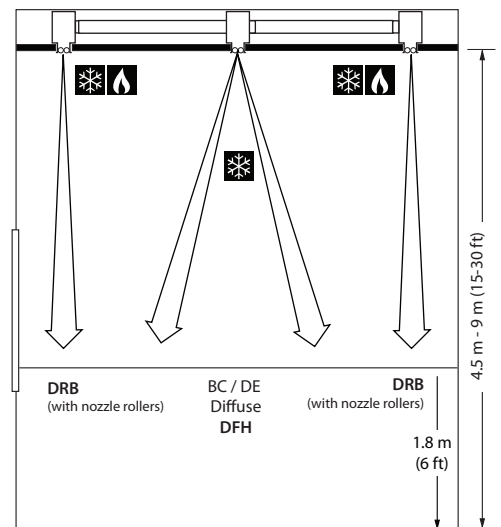
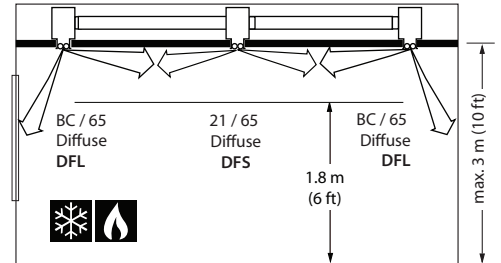
When the air inlet is on the top or a wall installation, follow the directions on the workshop design.

Air jet on one side



Example of application

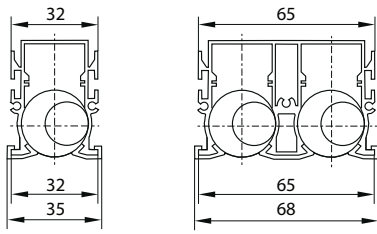
The diagrams below illustrate the different relationships between the position of the eccentric rollers and the air jet's direction at the roller's outlet.



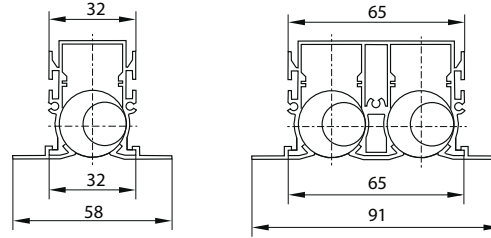
SAL 35 - Dimensions

Available dimensions are L (mm): 300, 400, 500, 600, 700, 800, 900, 1000, 1100, 1200, 1300, 1400, 1500, 1600, 1700, 1800, 1900, 2000
Intermediate dimensions are also available.

Narrow profile



Wide profile



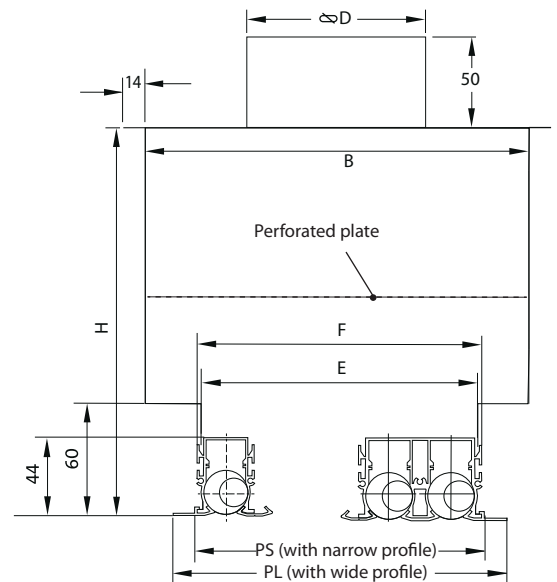
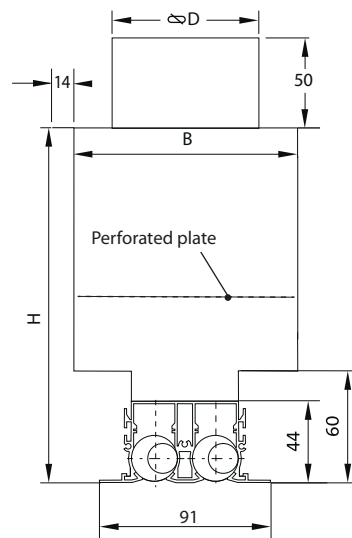
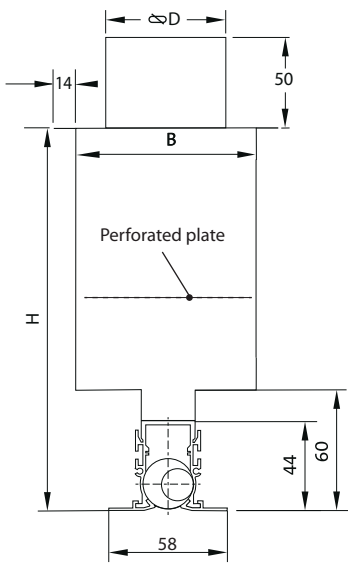
With plenum - Top inlet

SAL 35, 1 slot

SAL 35, 2 slots

SAL 35, 3 slots and more

Note: The measurements are indicated in the table on pages 4 and 5.



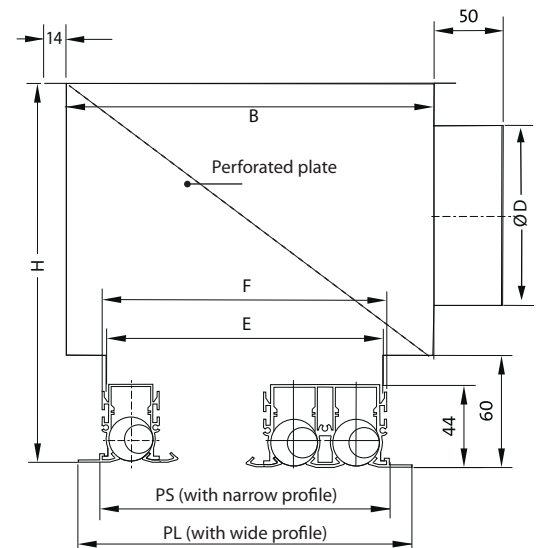
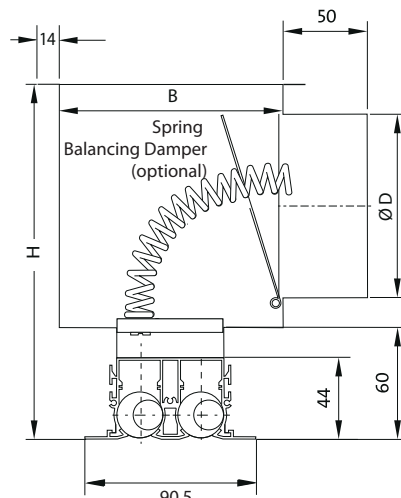
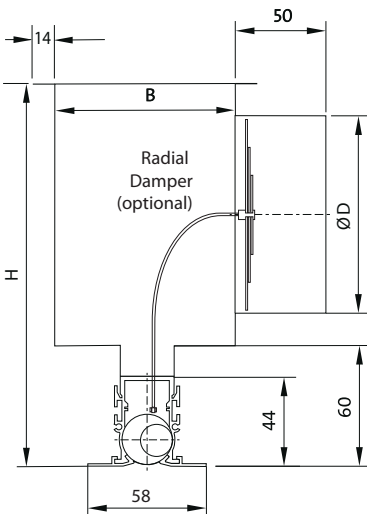
With plenum - side inlet

SAL 35, 1 slot

SAL 35, 2 slots

SAL 35, 3 slots and more

Note: The measurements are indicated in the table on pages 4 and 5.



**SAL 35 - Table of dimensions
- Eccentric rollers**

1 slot with plenum

Dimensions (mm)	from 300 to 600	from 650 to 900	from 950 to 1500	from 1550 to 2000
Size B	88	88	88	88
Size H	286	286	286	286
Size E	26	26	26	26
Size F	32	32	32	32
Size PS	36	36	36	36
Size PL	58	58	58	58
Size Ø D _{side}	125	125	150	2 x 125
Size Ø D _{top}	125 (oval)	125 (oval)	150 (oval)	2 x 125 (oval)
Air inlet (quantity)	1	1	1	2

2 slots with plenum

Dimensions (mm)	from 300 to 600	from 650 to 900	from 950 to 1500	from 1550 to 2000
Size B	120	120	120	120
Size H	342	342	342	342
Size E	58	58	58	58
Size F	65	65	65	65
Size PS	68	68	68	68
Size PL	91	91	91	91
Size Ø D _{side}	150	200	200	2 x 200
Size Ø D _{top}	150 (oval)	200 (oval)	200 (oval)	2 x 200 (oval)
Air inlet (quantity)	1	1	1	2

3 slots with plenum

Dimensions (mm)	from 300 to 600	from 650 to 900	from 950 to 1500	from 1550 to 2000
Size B	152	152	152	152
Size H	342	342	342	342
Size E	90	90	90	90
Size F	97	97	97	97
Size PS	98	98	98	98
Size PL	123	123	123	123
Size Ø D _{side}	150	200	250	2 x 200
Size Ø D _{top}	150 (oval)	200 (oval)	250 (oval)	2 x 200 (oval)
Air inlet (quantity)	1	1	1	2

4 slots with plenum

Dimensions (mm)	from 300 to 600	from 650 to 900	from 950 to 1500	from 1550 to 2000
Size B	184	184	184	184
Size H	392	392	392	392
Size E	122	122	122	122
Size F	130	130	130	130
Size PS	134	134	134	134
Size PL	156	156	1556	156
Size Ø D _{side}	200	200	250	2 x 250
Size Ø D _{top}	200 (oval)	200 (oval)	250 (oval)	2 x 250 (oval)
Air inlet (quantity)	1	1	1	2

5 slots with plenum

Dimensions (mm)	from 300 to 600	from 650 to 900	from 950 to 1500	from 1550 to 2000
Size B	216	216	216	216
Size H	392	392	392	392
Size E	154	154	154	154
Size F	162	162	162	162
Size PS	166	166	166	166
Size PL	188	188	188	188
Size Ø D _{side}	200	250	302	2 x 250
Size Ø D _{top}	200 (oval)	250 (oval)	302 (oval)	2 x 250 (oval)
Air inlet (quantity)	1	1	1	2

6 slots with plenum

Dimensions (mm)	from 300 to 600	from 650 to 900	from 950 to 1500	from 1550 to 2000
Size B	248	248	248	248
Size H	392	392	392	392
Size E	187	187	187	187
Size F	195	195	195	195
Size PS	199	199	199	199
Size PL	221	221	221	221
Size Ø D _{side}	200	250	302	2 x 250
Size Ø D _{top}	200	250 (oval)	302 (oval)	2 x 250 (oval)
Air inlet (quantity)	1	1	1	2

SAL 35 - Table of dimensions - Eccentric rollers

7 slot with plenum

Dimensions (mm)	from 300 to 600	from 650 to 900	from 950 to 1500	from 1550 to 2000	
Size B	280	280	280	280	
Size H	392	392	457	392	
Size E	219	219	219	219	
Size F	227	227	227	227	
Size PS	231	231	231	231	
Size PL	253	253	253	253	
Size Ø D	side	200	250	353	2 x 250
	top	200	250	353 (ovale)	2 x 250
Air inlet (quantity)	1	1	1	2	

8 slot with plenum

Dimensions (mm)	from 300 to 600	from 650 to 900	from 950 to 1500	from 1550 to 2000	
Size B	312	312	312	312	
Size H	392	392	457	392	
Size E	251	251	251	251	
Size F	260	260	260	260	
Size PS	264	264	264	264	
Size PL	286	286	286	286	
Size Ø D	side	250	302	353	2 x 302
	top	250	302 (ovale)	353 (ovale)	2 X 302 (ovale)
Air inlet (quantity)	1	1	1	2	

9 slot with plenum

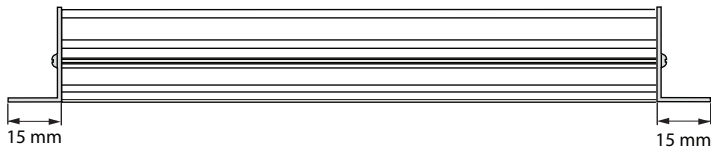
Dimensions (mm)	from 300 to 600	from 650 to 900	from 950 to 1500	from 1550 to 2000	
Size B	344	344	344	344	
Size H	392	392	457	392	
Size E	283	283	283	283	
Size F	292	292	292	292	
Size PS	296	296	296	296	
Size PL	318	318	318	318	
Size Ø D	side	250	302	353	2 x 302
	top	250	302	353 (ovale)	2 x 302
Air inlet (quantity)	1	1	1	2	

10 slot with plenum

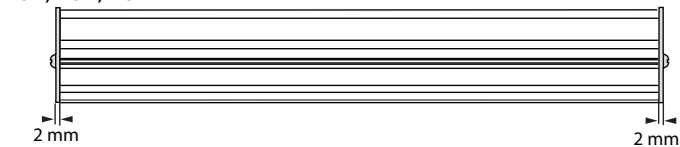
Dimensions (mm)	from 300 to 600	from 650 to 900	from 950 to 1500	from 1550 to 2000	
Size B	376	376	376	376	
Size H	392	392	457	392	
Size E	315	315	315	315	
Size F	325	325	325	325	
Size PS	329	329	329	329	
Size PL	351	351	351	351	
Size Ø D	side	250	302	353	2 x 302
	top	250	302	353 (ovale)	2 x 302
Air inlet (quantity)	1	1	1	2	

SAL 35 - Total length with end caps

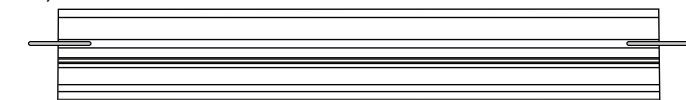
PL2, PLR, PLL



PS2, PSR, PSL



PLP, PSP



Nominal Size	PLP/PSP mm	PLL/PLR mm	PL2 mm	PSR/PSL mm	PS2 mm
300	298	313	328	300	302
400	398	413	428	400	402
500	497	512	527	499	501
600	573	588	603*	575	577
700	696	711	726	698	700
800	795	810	825	797	799
900	895	910	925	897	899
1000	994	1009	1024	996	998
1100	1093	1108	1123	1095	1097
1200	1183	1198	1213*	1185	1187
1300	1292	1307	1322	1294	1296
1400	1392	1407	1422	1394	1396
1500	1491	1506	1521	1493	1495
1600	1590	1605	1620	1592	1594
1700	1690	1705	1720	1692	1694
1800	1789	1804	1819	1791	1793
1900	1889	1904	1919	1891	1893
2000	1988	2003	2018	1990	1992

* Dimensions modified for insertion into a suspended ceiling

**SAL 35 - Table of dimensions
- Nozzle rollers**

1 slot with plenum

Dimensions (mm)	from 300 to 600	from 650 to 900	from 950 to 1500	from 1550 to 2000	
Size B	120	120	120	120	
Size H	342	342	342	342	
Size E	26	26	26	26	
Size F	32	32	32	32	
Size PS	35	35	35	35	
Size PL	58	58	58	58	
Size Ø D	side	150	200	250	2 x 200
	top	150 (oval)	200 (oval)	250 (oval)	2 x 200 (oval)
Air inlet (quantity)	1	1	1	2	

2 slots with plenum

Dimensions (mm)	from 300 to 600	from 650 to 900	from 950 to 1500	from 1550 to 2000	
Size B	184	184	184	184	
Size H	392	392	392	392	
Size E	58	58	58	58	
Size F	65	65	65	65	
Size PS	68	68	68	68	
Size PL	91	91	91	91	
Size Ø D	side	200	250	302	2 x 250
	top	200 (oval)	250 (oval)	302 (oval)	2 x 250 (oval)
Air inlet (quantity)	1	1	1	2	

3 slots with plenum

Dimensions (mm)	from 300 to 600	from 650 to 900	from 950 to 1500	from 1550 to 2000	
Size B	248	248	248	248	
Size H	392	392	392	392	
Size E	90	90	90	90	
Size F	96.5	96.5	96.5	96.5	
Size PS	98	98	98	98	
Size PL	122.5	122.5	122.5	122.5	
Size Ø D	side	250	302	353 (ovale)	2 x 302
	top	250 (oval)	302 (oval)	353 (oval)	2 x 302 (oval)
Air inlet (quantity)	1	1	1	2	

4 slots with plenum

Dimensions (mm)	from 300 to 600	from 650 to 900	from 950 to 1500	from 1550 to 2000	
Size B	248	248	248	248	
Size H	392	392	392	392	
Size E	122	122	122	122	
Size F	130	130	130	130	
Size PS	133	133	133	133	
Size PL	155	155	155	155	
Size Ø D	side	250	302 (oval)	2 x 302	2 x 353 (oval)
	top	250 (oval)	302 (oval)	2 x 302 (oval)	2 x 353 (oval)
Air inlet (quantity)	1	1	2	2	

5 slots with plenum

Dimensions (mm)	from 300 to 600	from 650 to 900	from 950 to 1500	from 1550 to 2000	
Size B	344	344	344	344	
Size H	457	457	457	457	
Size E	154	154	154	154	
Size F	162	162	162	162	
Size PS	165	165	165	165	
Size PL	188	188	188	188	
Size Ø D	side	302	353	2 x 302	2 x 353 (oval)
	top	302	353	2 x 302 (oval)	2 x 353 (oval)
Air inlet (quantity)	1	1	2	2	

6 slots with plenum

Dimensions (mm)	from 300 to 600	from 650 to 900	from 950 to 1500	from 1550 to 2000	
Size B	344	344	344	344	
Size H	457	457	457	457	
Size E	187	187	187	187	
Size F	195	195	195	195	
Size PS	198	198	198	198	
Size PL	221	221	221	221	
Size Ø D	side	302	353	2 x 353	2 x 403 (oval)
	top	302 (oval)	353 (oval)	2 x 353 (oval)	2 x 403 (oval)
Air inlet (quantity)	1	1	2	2	

SAL 35 - Codification

SAL 35	0300, 0400, 0500, 0600, 0700, 0800, 0900, 1000, 1100, 1200, 1300, 1400, 1500, 1600, 1700, 1800, 1900, 2000										Product	
	1, 2, 3, 4, 5, 6, 7, 8, 9, 10										Length of diffuser	
	DFS = Standard diffuse 21 / 65 DFL = Window diffuse BC / 65 DFR = Window diffuse DE / 21 DFH = Diffuse height BC / DE DFE = Diffuse window (max. 4 m) BC / EF DFF = Diffuse AB / EF DFN = Diffuse CD / AB DFT = Diffuse CD / EF										Number of slots	
	DVB = Divergent 21 DVD = Divergent 65 DVM = Wall divergent DE (jet towards the ceiling) DVV = Vertical divergent CD DRB = Divergent with roller nozzles										Airflow	
	PL2 = Wide profile with end cap in "L" shape on both sides PLL = Wide profile with end cap in "L" shape on left side PLR = Wide profile with end cap in "L" shape on right side PLP = Wide profile without an end cap (with pins) PS2 = Narrow profile with flat end cap on two sides PSL = Narrow profile with flat end cap on left side PSR = Narrow profile with flat end cap on right side PSP = Narrow profile without end cap (with pull pins) APA = With a steel frontal plate * (Write the dimensions you need (in mm) in annotation)										Profile and end cap	
	W = White eccentric rollers or roller nozzles - (RAL 9003) C = Cream eccentric rollers or roller nozzles - (RAL 9010) B = Black eccentric rollers or roller nozzles										Colour of eccentric rollers or roller nozzles	
	9003 = White 9010 = Cream 00SB = Solar black (Standard matte black) 00SM = Matte silver (Standard metallic gray) _____ = RAL colour (indicate the number of the colour)										Diffuser colour	
	S = Plenum with inlet on the side T = Plenum with inlet on the top X = Without plenum										Plenum	
	I = With acoustic insulation A = With closed cell acoustic insulation X = Without insulation										Acoustic insulation	
	F = With fireproof insulation and fireproof dampers (balancing damper not available) X = Without fireproof insulation and fireproof dampers										Fireproof insulation	
D = With spring damper R = With radial damper ** X = Without damper										Balancing damper		
G = Gypsum ceiling W = Wall X = Suspended ceiling R = Return Grille (SAL 35 without connection plenum)										Type of installation		
SAL 35	0300	1	DFS	PL2	B	9003	S	X	X	X	X	Example

Notes:

* For the APA model, it is essential to indicate the overall dimensions of the steel plate you need (in mm), in annotation.

** Not available on oval collar