



NAC air curtain

Submittal

NAD Klima
 144 rue Léger,
 Sherbrooke (Qué) J1L 1L9
 (819) 780-0111 • 1 866 531-1739
 info@nadklima.com

NAD Klima Ontario
 2840, Argentia Road, Unit 6
 Mississauga (Ont) L5N 8G4
 (416) 860-1067
 ontario@nadklima.com

The NAC air curtain acts as a thermal barrier, considerably reducing energy costs while raising the level of comfort.

The NAC air curtain from NAD Klima is used primarily in industrial areas, warehouses as well as distribution and transshipment centers. The air curtain is installed either horizontally or vertically depending on the size of the door or installation conditions.

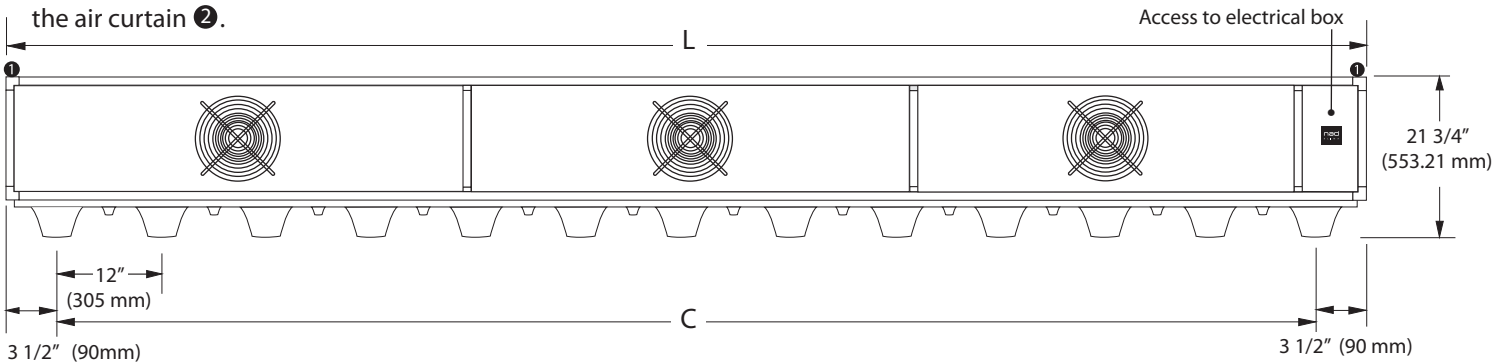
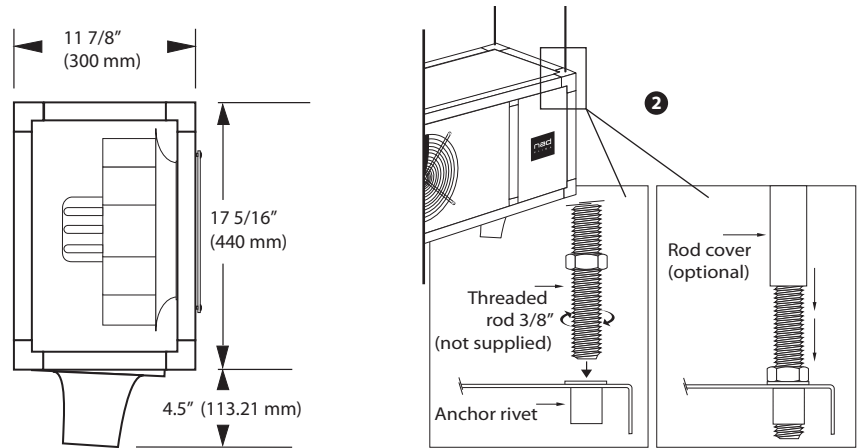
Installation of the NAC air curtain ensures that hot or fresh air is kept on the premises regardless of the frequency or duration of time that the doors are open.

The NAC air curtain is suspended at the four corners by threaded rods (not supplied) to the outside of the door frame ❶.

Anchor rivets (3/8 of an inch – 9.5mm) are provided for this purpose on the frame of the air curtain ❷.

SIZES

Width of the door (C)	ft	8	10	12	14	16
	(m)	(2,4)	(3)	(3.7)	(4.3)	(5)
Width of the curtain (L)	ft	8'-7"	10'-7"	12'-7"	14'-7"	16'-7"
	(m)	(2.62)	(3.23)	(3.84)	(4.45)	(5.05)



Codification

NAC							Product	
H = Horizontal air curtain with vertical air discharge V = Vertical air curtain with horizontal air discharge						Position		
08(2.4m), 09(2.75m), 10(3m), 12(3.66m), 14(4.3m), 16(5m), 18(5.5m), 20(6.1m), 22*(6,7), 24*(7,3) * applies to only vertical air curtain						Width of the door : ft (m)		
08(2.4m), 09(2.75m), 10(3m), 12(3.66m), 14(4.3m), 16(5m), 18(5.5m), 20(6.1m), 22*(6.7m), 24*(7.3m), 26*(7.9m), 28*(8.5m), 30*(9.1m) * applies to only vertical air curtain						Height of the door : ft (m)		
1151 = 115/120, 1~ 2201 = 208/220, 1~ 2203 = 208/220, 3~ 6003 = 575/600, 3~						Voltage of motors		
D = With fan drive X = Without fan drive						Fan drive		
9003 = White Standard ____ = RAL color * (indicate the number of RAL color)						Color		
NAC	H	08	08	1151	X	9003	Annotation :	Example

Note :
 For horizontal air curtain with vertical air discharge over 16 feet, the air curtain will be supplied in two modules and hanging must be adapted to support them.



NAC air curtain

Submittal

Technical data

* For the 18 foot door widths (5.5 m) or more, the air curtain will be supplied in two modules.

Installation of horizontal air curtain with vertical flow

	Width of the door - ft. [m]												Height ft. [m]					
	8 (2.4)			10 (3.05)			12 (3.66)			14	16	18		20				
Air flow [cfm]	2300			2800			3000			-	-	-	-	8 to 9 (2.4 to 2.8)				
Number of fans [-]	1			2			2			-	-	-	-					
Motor voltage [V]	115	230	575	115	230	575	115	230	575	-	-	-	-					
Number of phases [~]	1	1	3	1	1	3	1	1	3	-	-	-	-					
Power / motor [kW]	1.1	1.1	1.1	1.1	1.1	1.1	1.1	1.1	1.1	-	-	-	-					
Current / motor [A]	9.4	4.7	1.6	9.4	4.7	1.28	9.4	4.7	1.28	-	-	-	-					
Current total [A]	9.4	4.7	1.6	18.4	9.4	2.6	18.4	9.4	2.6	-	-	-	-					
Weight [Kg/Lb]	60 / 130			105 / 230			120 / 265			-	-	-	-					
Air flow [cfm]	2600			3200			4000			-	-	-	-	10 (3.05)				
Number of fans [-]	2			3			3			-	-	-	-					
Motor voltage [V]	115	230	575	115	230	575	115	230	575	-	-	-	-					
Number of phases [~]	1	1	3	1	1	3	1	1	3	-	-	-	-					
Power / motor [kW]	1.1	1.1	1.1	1.1	1.1	1.1	1.1	1.1	1.1	-	-	-	-					
Current / motor [A]	9.4	4.7	1.6	9.4	4.7	1.6	9.4	4.7	1.6	-	-	-	-					
Current total [A]	18.4	9.4	3.2	28.2	14.1	4.8	28.2	14.1	3.84	-	-	-	-					
Weight [Kg/Lb]	70 / 155			130 / 290			140 / 310			-	-	-	-					
	Width of the door - ft. [m]												Height ft. [m]					
	12 (3.66)		14 (4.3)		16 (4.9)		18 (5.5)*		20 (6.1)*		22 (6.7)*			24 (7.3)*				
Air flow [cfm]	5200		5400		6400		-	-	-	-	-	-	-	12 (3.66)				
Number of fans [-]	4		4		5		-	-	-	-	-	-	-					
Motor voltage [V]	230	575	230	575	230	575	-	-	-	-	-	-	-					
Number of phases [~]	3	3	3	3	3	3	-	-	-	-	-	-	-					
Power / motor [kW]	1.1	1.1	1.1	1.1	1.1	1.1	-	-	-	-	-	-	-					
Current / motor [A]	2.8	1.28	2.8	1.28	2.8	1.28	-	-	-	-	-	-	-					
Current total [A]	11.2	5.1	11.2	5.1	14	6.4	-	-	-	-	-	-	-					
Weight [Kg/Lb]	150 / 330		165 / 370		195 / 430		-	-	-	-	-	-	-					
Airflow [cfm]	5200		6300		6700		6000		7600		-	-	-	14 (4.3)				
Number of fans [-]	4		5		6		6		7		-	-	-					
Motor voltage [V]	230	575	230	575	230	575	230	575	230	575	-	-	-					
Number of phases [~]	3	3	3	3	3	3	3	3	3	3	-	-	-					
Power / motor [kW]	1.1	1.1	1.1	1.1	1.1	1.1	1.1	1.1	1.1	1.1	-	-	-					
Current / motor [A]	2.8	1.28	2.8	1.28	2.8	1.28	2.8	1.28	2.8	1.28	-	-	-					
Current total [A]	11.2	5.1	14	6.4	16.8	7.7	16.8	7.7	19.6	9	-	-	-					
Weight [Kg/Lb]	150 / 330		185 / 410		210 / 460		220/485		245/540		-	-	-					
Air flow [cfm]	5	6	00	6900		6300		6700		7600		8000		8800		9600		16 (4.9)
Number of fans [-]	5		5		6		7		8		9		10		-	-		
Motor voltage [V]	230	575	230	575	230	575	230	575	230	575	230	575	230	575	230	575		
Number of phases [~]	3	3	3	3	3	3	3	3	3	3	3	3	3	3	3	3		
Power / motor [kW]	1.1	1.1	1.1	1.1	1.1	1.1	1.1	1.1	1.1	1.1	1.1	1.1	1.1	1.1	1.1	1.1		
Current / motor [A]	2.8	1.28	2.8	1.28	2.8	1.28	2.8	1.28	2.8	1.28	2.8	1.28	2.8	1.28	2.8	1.28		
Current total [A]	14	6.4	14	6.4	16.8	7.7	19.6	9	22.4	10.2	25.2	11.5	28	12.8	-	-		
Weight [Kg/Lb]	170 / 375		185 / 410		210 / 460		235 / 520		270 / 595		295 / 650		315 / 690		-	-		

For the vertical installation of the air curtain with a horizontal flow, the data will be available upon request.