



Air curtain NAC



Maintenance and installation guide



WARNING



IN ORDER TO MINIMIZE THE RISK OF FIRE AND
ELECTRIC SHOCK OR PERSONAL INJURIES, RESPECT THE FOLLOWING:

-A-

Use this unit in a manner intended by the manufacturer. If you have any questions, contact the manufacturer at 1 866 531-1739.

-B-

Before repairing or cleaning unit, cut power at the source and padlock to prevent accidental restoration of power. If padlocking power source is not an option, tag power source with marker indicating ongoing work on unit.

KEEP THIS GUIDE

nadklima.com

Québec

NAD Klima (head office)

144 Léger, Sherbrooke (Qué) J1L 1L9

(819) 780-0111

1 866 531-1739

info@nadklima.com

Ontario

NAD Klima Ontario

2840 Argentia Road, Unit 6

Mississauga (Ontario) L5N 8G4

416 860-1067

ontario@nadklima.com

HORIZONTAL INSTALLATION

The NAC air curtain is installed beneath the door rails, as illustrated in figures 1 and 2. This way, the air curtain does not impede the opening and closing of the door.

Anchor rivets (9.5 mm - 3/8 in) each with a support capacity of 1115 lbs (505 kg), allowing for the suspension of the air curtain through all 4 corners with threaded rods (not supplied) (figure 3).

Step 1) Installation of suspension rods

Secure the curtain NAC with rods (threaded 3/8", not supplied) to the 4 anchorage points located at the 4 corners of the the air curtain (figure 3).

Step 2) Installation of the air curtain

As indicated in figure 2, install the air curtain so the nozzles are at the same level as the highest point of the open door (figure 2).

IMPORTANT:

Allow for a minimum of 7.5 mm (1/4 in) from the door rail.

Figure 1

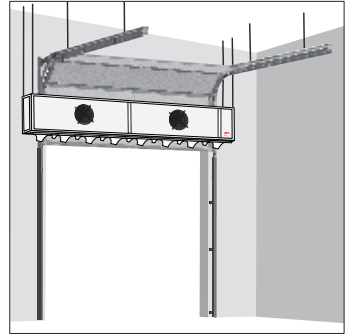


Figure 2

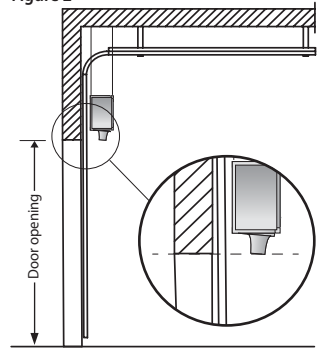
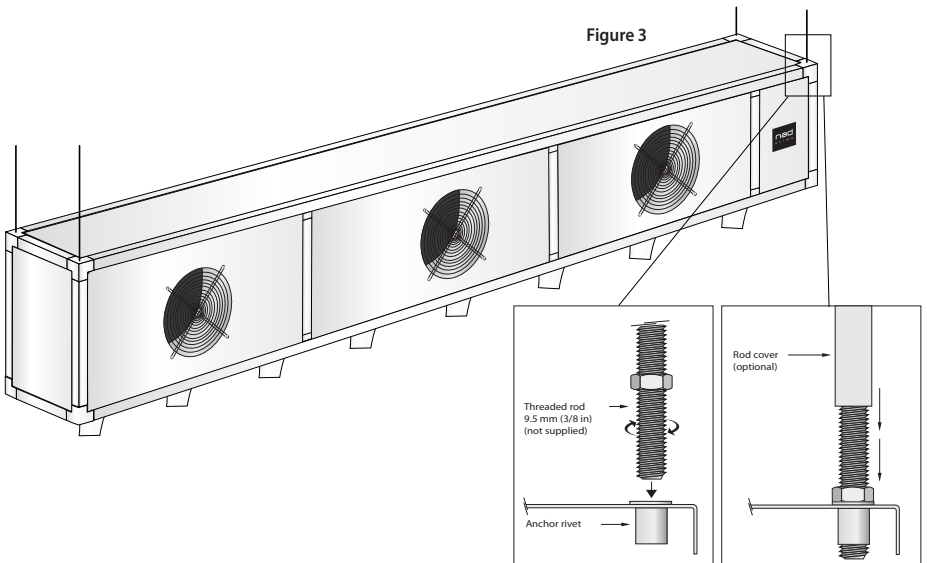


Figure 3



VERTICAL INSTALLATION

The base

Position the base at a minimum of 25.4 mm (1 in) from the wall and at 12.7 mm (1/2 in) from the front of the door rail (figure A).

- **Identify, mark and drill** four (4) anchor holes on the floor.
- **Insert** the 9.5 mm (3/8 in) anchor bolts (not supplied) in the floor.
- **Make sure** the base is leveled and then **secure** it (figure B).

Air curtain installation

- **Carefully lift** the air curtain and **insert** it into the base.
- Using the hardware supplied, **secure** the air curtain to the base (figure C).

Wall mounting system

- **Attach** brackets on the top of the air curtain with supplied bolts, as illustrated in figure D.
- **Verify** that return brackets are facing the wall.
- Note: The empty hole can be used to lift the unit into place.*
- **Secure** the return brackets with threaded rods (not supplied) to the wall (figure D, E).
- **Make sure** the air curtain is leveled.

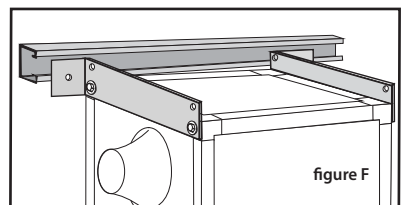
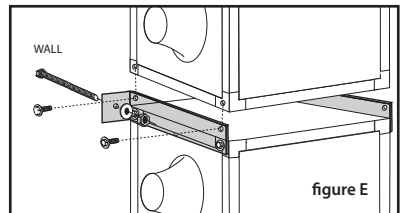
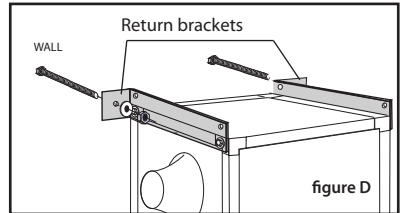
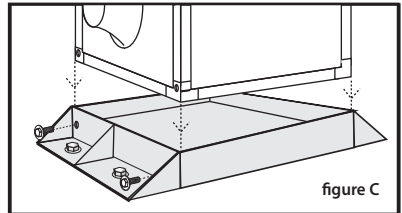
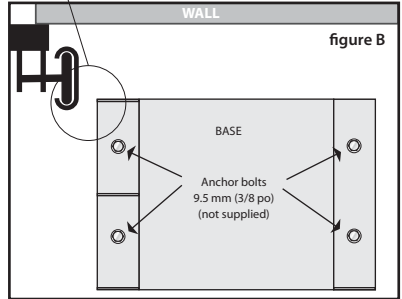
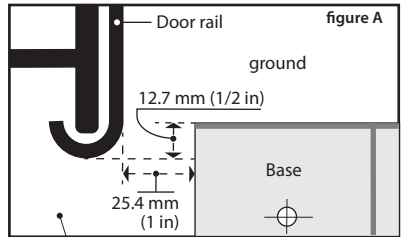
Superimposing 2 air curtains

- **Attach** new brackets on top of the second air curtain with supplied bolts, as illustrated in figure D.
- **Verify** that return brackets are facing the wall.
- **Carefully lift** the second unit into place, using empty holes in brackets if necessary.
- **Place** unit on top of the first unit, inside the brackets (figure E).
- **Secure** the air curtain to the brackets using the bolts supplied.
- **Verify** that return brackets are facing the wall.
- **Make sure** air the curtain is leveled and then **secure** the brackets with threaded rods (not supplied) to the wall.

OPTION (suggestion)

Installation of wall rail

- **Align** wall rail (not included) to the holes of the return brackets (figure F).
- **Make sure** the rail is parallel.
- **Secure** the rail to the wall or any solid structure.
- **Secure** the return brackets to the rail.



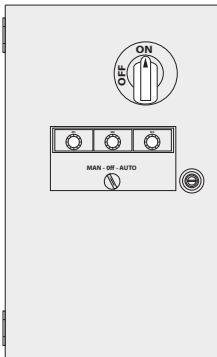
CONTROL PANEL

The air curtain is supplied with a control panel equipped with warning light and a "MAN - Off - AUTO" switch.

In "MAN" (Manual) mode, the air curtain will remain in operation until the switch is moved to the "Off" position.

When in "Auto" (automatic) mode, the air curtain is turned on by the automatic switch detecting door opening. When the door is closed, the switch stops the air curtain.

Control Panel

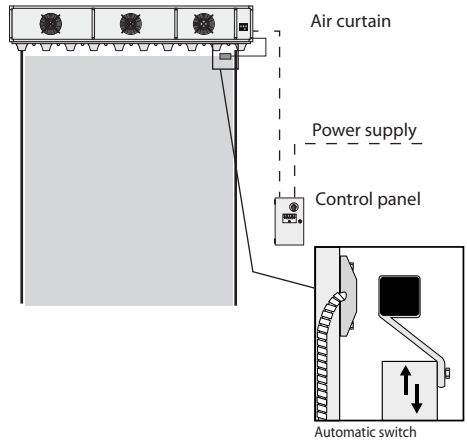


WARNING

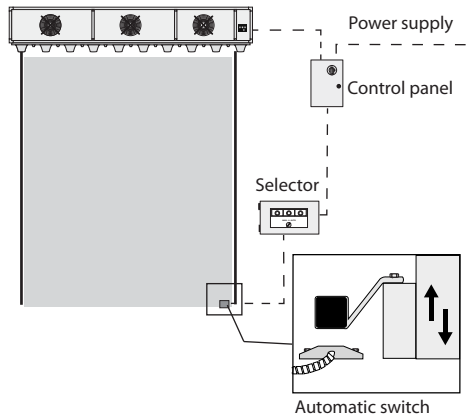
The installation, repair and maintenance of the control panel must be performed by an authorized qualified technician by virtue of law.

Before opening the access panel, make sure the power supply is in the "OFF" position.

Wiring diagram with "MAN - Off - AUTO" on control panel



With "MAN - Off - AUTO" switch separated from control panel (optional)



----- Provided by electrician

FIXATION OF AUTOMATIC SWITCH TO THE DOOR

This switch is designed for a virtually universal installation on any kind of door. It is composed of two parts, the switch and the magnetic trigger.

Choosing the appropriate location

Make sure nothing interferes with system functioning.

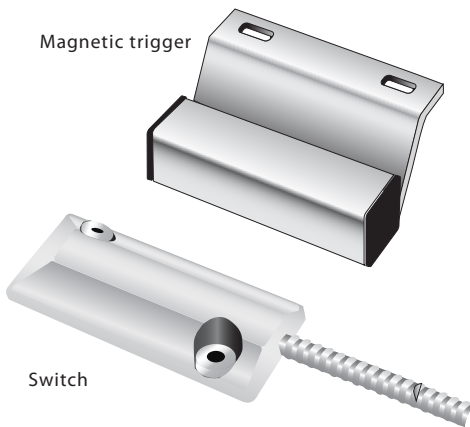
Step 1. Securing switch

Secure the switch to the wall above the door (figure 1) or to the floor (figure 2). It is important to choose a location where the switch will not interfere with door functioning.

Step 2. Secure magnetic trigger

Attach the magnetic trigger in either position, within 76 mm (3 in) from the switch. The trigger can be attached to the door, in different ways (figure 1, 2).

Step 3. Connect switch wires to the control panel cabling and confirm the switch is functioning properly.



WARNING

The installation, repair and maintenance of the control panel must be performed by an authorized qualified technician by virtue of law .

Before opening the access panel, make sure the power supply is in the "OFF" position.

Figure 1

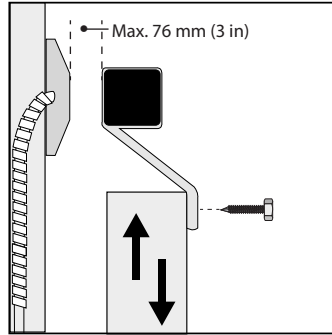
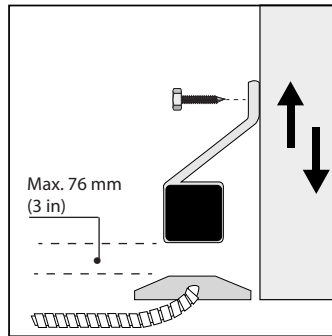


Figure 2

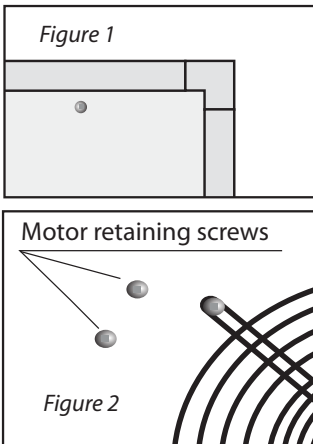
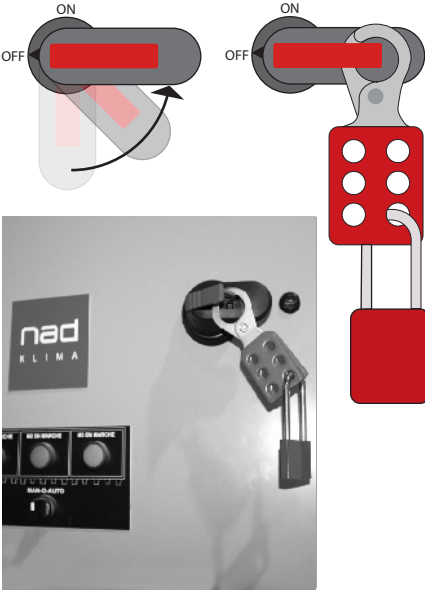


REPLACING DEFECTIVE MOTOR

Before performing replacement, advise all users of ongoing repairs.

A) Cut power supply and **make sure the air curtain is not under tension.**

B) Padlock power supply breaker.



WARNING

**Before opening panel,
make sure power supply is OFF.
Padlock power supply breaker.**

C) Remove the four (4) screws from the panel of the motor you wish to replace (Figure 1).
(Warning, panel may be heavy).

D) Unplug motor from circuit (Figure 3).

E) Remove motor screws from the front of the panel (Figure 2).

F) Install new motor

**Important: Make sure the replacement motor has the same criteria as the old one.
For added security use a NAD Klima replacement motor.**

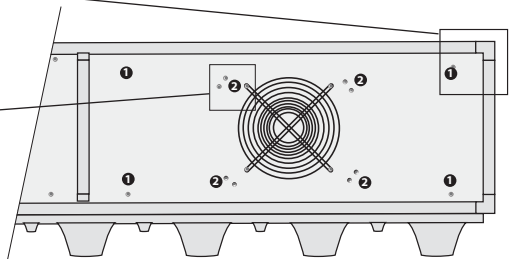
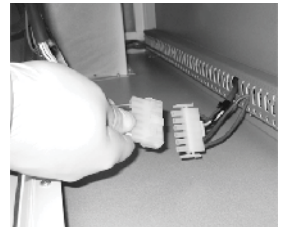
Make sure all motor screws are tightened correctly. Connect motor to circuit (Figure 3).

G) Re-install panel to air curtain (Figure 1).

H) Remove padlock from power supply breaker. Turn on power.

Verify that the new motor is working correctly.

Figure 3



ELECTRIC CIRCUIT

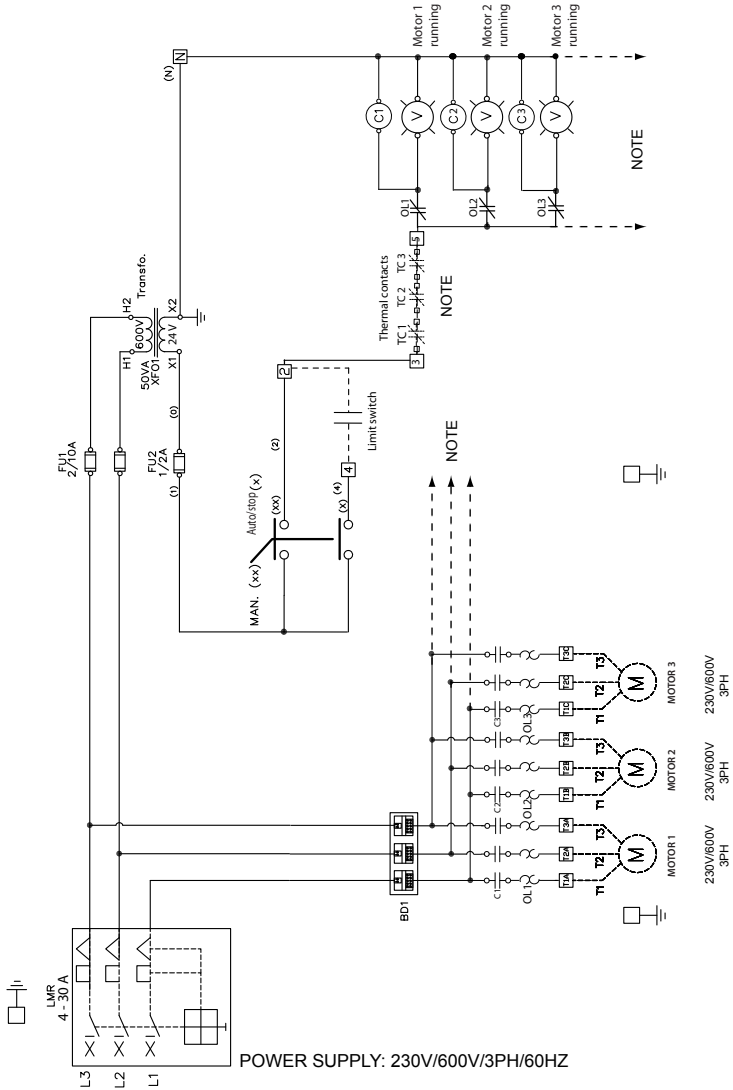
Example of a control panel electric circuit for an air curtain with several motors.

Note: Repeat the same circuit according to the number of motors to control.

WARNING

Before opening panel, make sure power supply is OFF. Padlock power supply breaker.

CONNECTION PANEL
CONNECTING TO DO



MAINTENANCE

The **NAD Klima** air curtain doesn't require any maintenance except periodical cleaning. The power coated finish of the air curtain's outer casing allows for easy cleaning with a cloth or soft brush.



The protective grid prevents foreign objects from interfering with the motor. We recommend a periodic visual inspection of the air curtain to ensure that nothing blocks air intake (plastic bag, paper, etc.).

WARNING

Before repairing or cleaning unit, cut power at the source and padlock to prevent accidental restoration of power.

If padlocking power source is not an option, tag power source with marker indicating ongoing work on unit.

It is recommended that the **interior of the control panel** and the **interior of the air curtain** be inspected on a periodical basis.

When dust has accumulated:

- A) **Cut the power supply** and make sure the control panel is powered down.
- B) **Install a padlock** to prevent accidental activation.
- D) Clean unit with a brush or a vacuum cleaner. **DO NOT USE WATER OR AEROSOLS.**

Once cleaning is complete close air curtain and control panel, remove padlock and turn on power supply.



The maintenance must be done by qualified personal

IN ORDER TO MINIMIZE THE RISK OF FIRE AND ELECTRIC SHOCK OR PERSONAL INJURIES, RESPECT THE FOLLOWING: DO NOT USE WATER OR AEROSOLS TO CLEAN INNER PART OF AIR CURTAIN AND PANEL CONTROL.

Use this unit in a manner intended by the manufacturer.
If you have any questions, contact the manufacturer at
1 866 531-1739.

