



# LDI Submittal



**NAD Klima Ontario**  
2840, Argentia Road, Unit 6, Mississauga (Ont) L5N 8G4  
(416) 860-1067  
ontario@nadklima.com

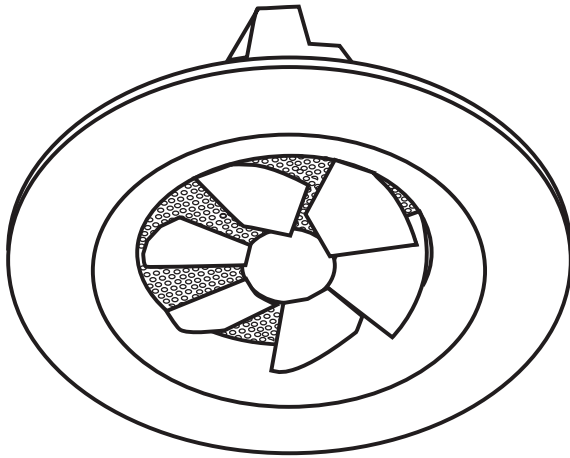
**NAD Klima**  
144 rue Léger, Sherbrooke (Qué) J1L 1L9  
(819) 780-0111 • 1 866 531-1739  
info@nadklima.com

Date

Project

Engineer

Contractor

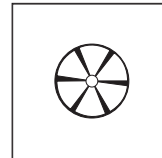


### The diffuseur

- Helical air jet diffuser
- Made of steel
- Square or round
- Adjustable blades to guide the airflow.
- Manual adjustment
- Outlet cone favoring a horizontal airflow on 360 degrees.
- Powder coated with a polyester TGIC-free paint
- Easy to clean.
- RAL colour chosen by client.

### Configuration

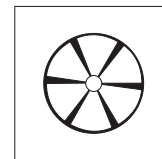
This diffuser is available in 250 / 300 / 400 / 500 / 600 / 800 nominal dimension. It is adapted for heights up to 30 m and flow rates up to 12,000 m<sup>3</sup>/h per diffuser.



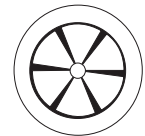
LDI-Q-250



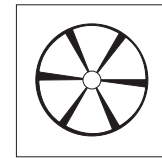
LDI-R-250



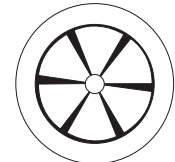
LDI-Q-300



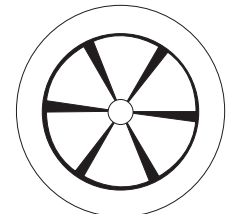
LDI-R-300



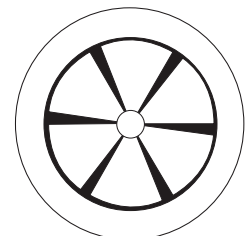
LDI-Q-400



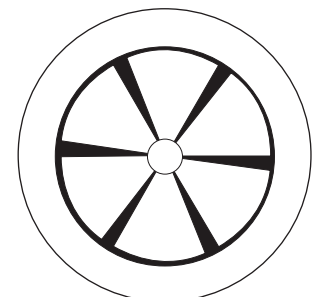
LDI-R-400



LDI-R-500



LDI-R-600



## LDI - Flow and direction of air

### Mode of operation

Different patterns are created in the air depending on blade angle. It guarantees performance in all cooling, ventilation or heating situations.

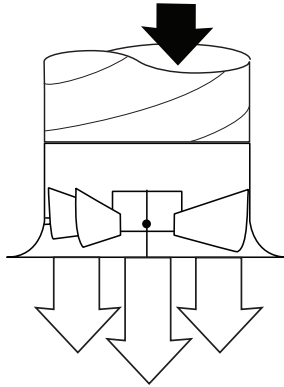
All loads have a defined angular dimension assigned to them. In addition, the asymmetric blades' angle setting ensures that there is no interference for exiting air jets.

At the front plate, a deflection of the air flow (from vertical to horizontal) is produced by the blades.

These adjustable blades allow us to easily switch from heating to cooling mode.

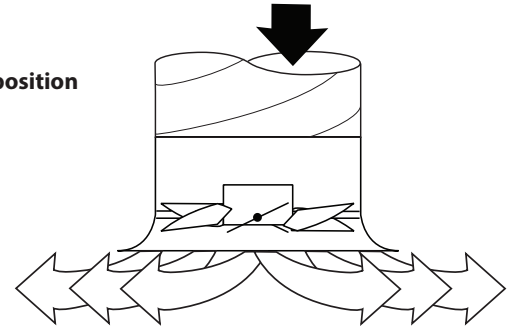
### Heating

**Blades:**  
Vertical position  
Vertical flow with high penetration



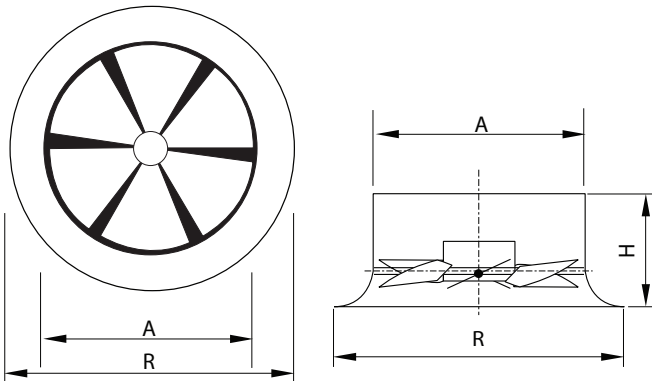
### Cooling

**Blades:**  
Variable oblique position  
Helical flow

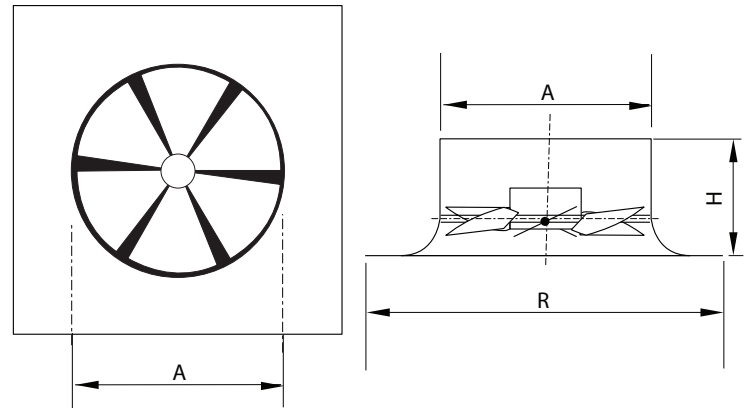


## LDI - Dimensions and weight

### LDI - Round



### LDI - Square



Dimensions (mm)	250	300	400	500	600	800
ØA	250	302	400	505	603	804
ØR	373	415	677	603	830	1100
H	140	175	215	280	355	425
Weight (kg)	2.4	3.6	6.0	8.5	12.2	24.0

Dimensions (mm)	250	300	400
ØA	250	302	400
R	603	603	603
H	140	175	215
Weight (kg)	2.4	3.6	6.0

# LDI - Codification

<b>LDI</b>										<b>Product</b>
Q = Square R = Round										<b>Configuration</b>
250, 300, 400										<b>Nominal dimension</b>
500, 600, 800 (round only)										
330, 415, 535, 603										<b>Outer size</b>
830, 1100 (round only)										
H = Hand adjustment										<b>Adjustment</b>
9003 = White 9010 = Cream 00SB = Solar Black (Standard matte black) 00SM = Silver Matte (Standard metallic grey) ____ = RAL Color (write the RAL color number)										<b>Diffuser color</b>
S = With plenum inlet on the side X = Without plenum										<b>Plenum</b>
I = With insulation (plenum only) X = Without insulation										<b>Insulation</b>
D = With damper X = Without damper										<b>Balancing damper</b>
<b>LDI</b>	<b>Q</b>	<b>250</b>	<b>330</b>	<b>H</b>	<b>9003</b>	<b>X</b>	<b>X</b>	<b>X</b>		<b>Example</b>