



## WKD 380 Submittal



**NAD Klima Ontario**  
2840, Argentia Road, Unit 6, Mississauga (Ont) L5N 8G4  
(416) 860-1067  
ontario@nadklima.com

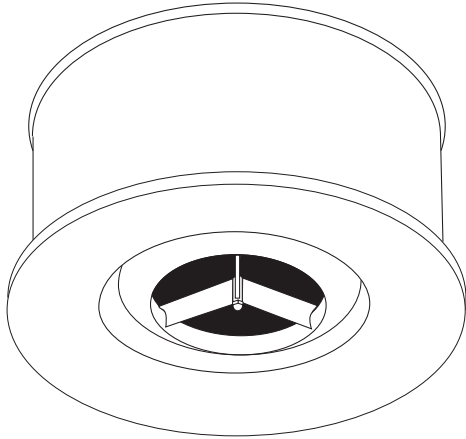
**NAD Klima**  
144 rue Léger, Sherbrooke (Qué) J1L 1L9  
(819) 780-0111 • 1 866 531-1739  
info@nadklima.com

Date

Project

Engineer

Contractor

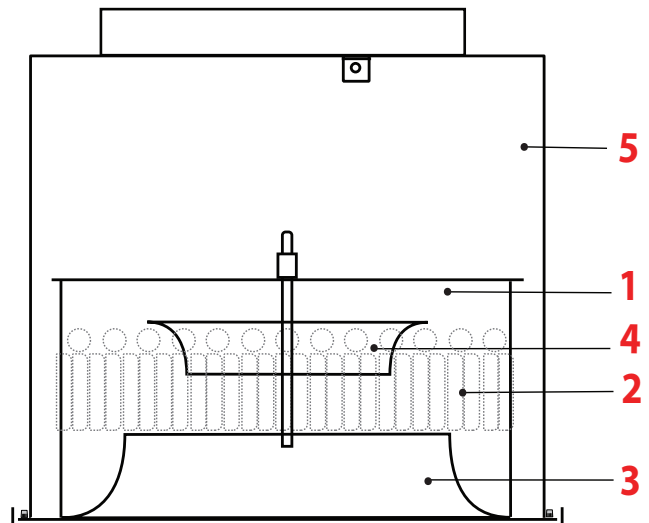


### The diffuseur

- Air swirl diffuser.
- Square or round diffuser.
- Made of steel.
- Equipped with a turbulence chamber composed of a round plate with stamped blades.
- Manual or motorized mode adjustment mechanism.
- Powder coated with a polyester TGIC-free paint.
- RAL colour chosen by client.

### Configuration

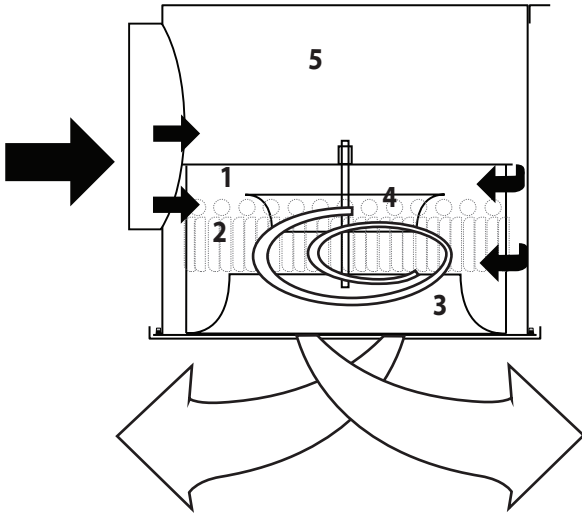
The WKD 380 diffuser is composed of a cylindrical swirl chamber (1), around which are placed blades to direct air (2) to the deflector (3), and an long-range nozzle adjustable manually or motorized (4). These components are located in a plenum (5).



## WKD - 380 - Flow and direction of air

### Mode of operation

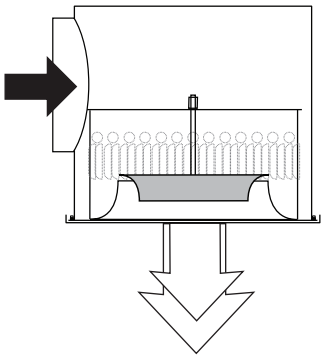
The air flow entering the turbulence chamber (1) creates an intensive helical movement, depending on the positioning of the nozzle (4). The airflow at the deflector outlet (3) will produce air induction and a variable penetration.



### Operation



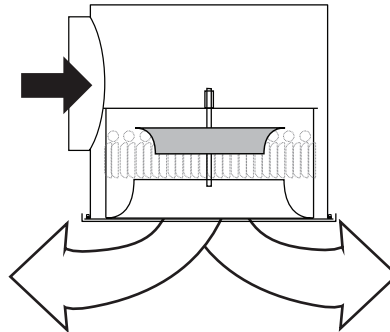
**Heating**



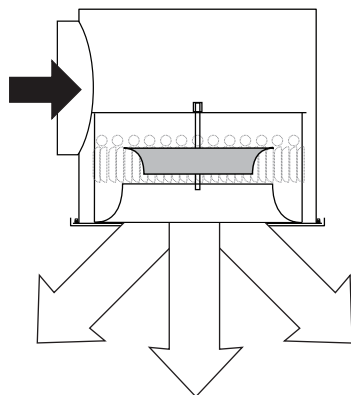
**Nozzle Position 1**  
Stable vertical air flow  
with large penetration



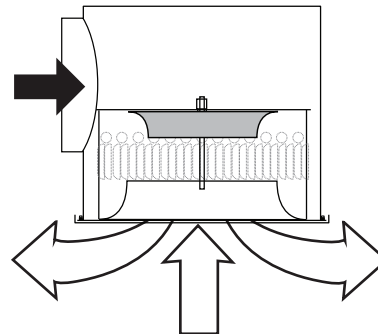
**Cooling**



**Nozzle Position 3**  
Horizontal helical air flow  
and a relatively weak reach

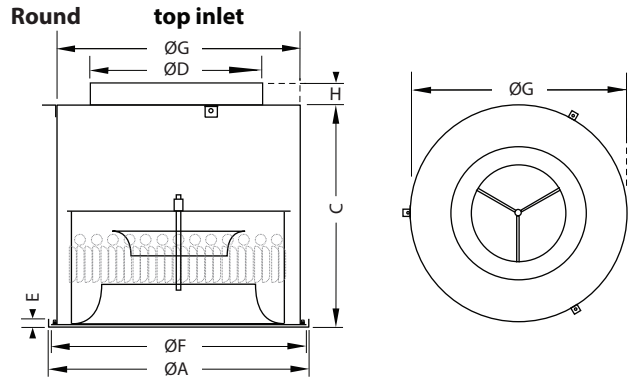
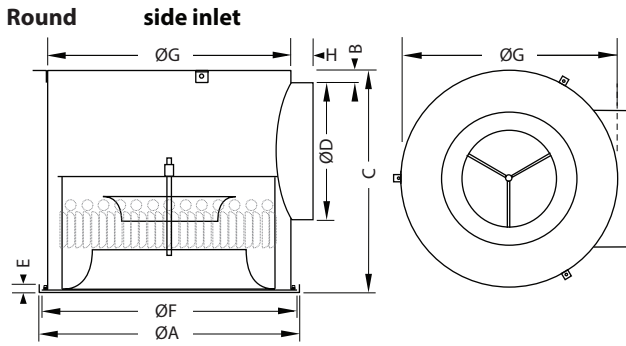


**Nozzle Position 2**  
Vertical airflow with  
a helical effect



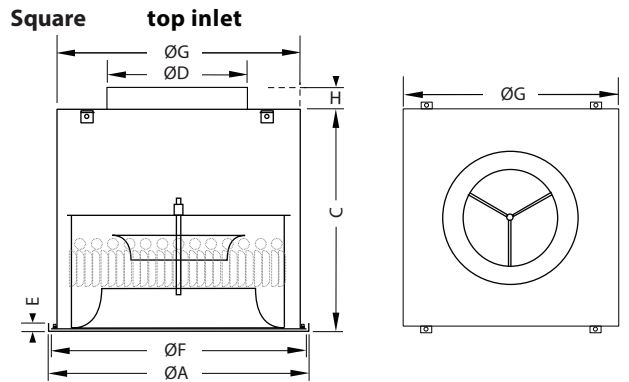
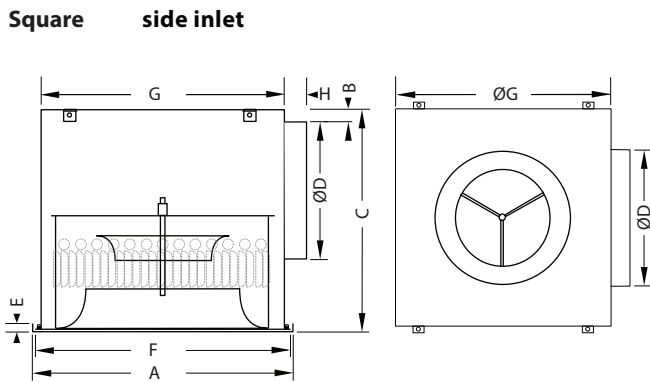
**Nozzle Position 4**  
Horizontal air flow  
(even in free suspension)  
with a maximal  
horizontal reach and an  
elevated primary induction

# WKD - 380 - Dimensions



|             | DN 600 (mm) | DN 800 (mm) | DN 1000 (mm) |
|-------------|-------------|-------------|--------------|
| Size ØA     | 600         | 800         | 1080         |
| Size B      | 33          | 50          | 50           |
| Size C      | 504         | 701         | 803          |
| Size ØD     | 403         | 505         | 607          |
| Size E      | 7           | 7           | 7            |
| Size ØF     | 586         | 787         | 1066         |
| Size ØG     | 560         | 760         | 1040         |
| Size H      | 50          | 50          | 50           |
| Weight (kg) | 27,5        | 53          | 66,3         |

|             | DN 600 (mm) | DN 800 (mm) | DN 1000 (mm) |
|-------------|-------------|-------------|--------------|
| Size ØA     | 600         | 800         | 1080         |
| Size C      | 504         | 701         | 803          |
| Size ØD     | 403         | 505         | 607          |
| Size E      | 7           | 7           | 7            |
| Size ØF     | 586         | 787         | 1066         |
| Size ØG     | 560         | 760         | 1040         |
| Size H      | 50          | 50          | 50           |
| Weight (kg) | 27,5        | 53          | 66,3         |



|             | DN 600 (mm) |
|-------------|-------------|
| Size A      | 603         |
| Size B      | 33          |
| Size C      | 504         |
| Size ØD     | 403         |
| Size E      | 12          |
| Size F      | 565         |
| Size G      | 552         |
| Size H      | 50          |
| Weight (kg) | 27,5        |

|             | DN 600 (mm) |
|-------------|-------------|
| Size A      | 603         |
| Size C      | 504         |
| Size ØD     | 403         |
| Size E      | 12          |
| Size F      | 565         |
| Size G      | 552         |
| Size H      | 50          |
| Weight (kg) | 27,5        |

# WKD - 380 - Codification

|   |   |      |      |     |                          |
|---|---|------|------|-----|--------------------------|
| <b>WKD 380</b>  |   |      |      |     | <b>Product</b>           |
| Q = Square (only DN 600)<br>R = Round   |   |      |      |     | <b>Configuration</b>     |
| 0600, 0800, 1000  |   |      |      |     | <b>Nominal dimension</b> |
| 9003 = White<br>9010 = Cream<br>00SB = Solar Black (Standard matte black)<br>00SM = Silver Matte (Standard metallic grey)<br>_____ = RAL color (write the RAL color number) |   |      |      |     | <b>Diffuser color</b>    |
| T = Plenum with inlet on the top<br>S = Plenum with inlet on the side   |   |      |      |     | <b>Plenum</b>            |
| H = Hand adjustment<br>M = Motorized adjustment   |   |      |      |     | <b>Adjustment</b>        |
| <b>WKD 380</b>  | Q | 0600 | 9003 | T H | <b>Example</b>           |