

The VAL variable air diffuser includes an internal control dial which allows manual or motorized adjustment to adapt to diverse situations.

The distinctive characteristics of the airflow allow installation of the diffuser recessed into the ceiling or suspended at heights of up to 15m with a feed flow which can reach 3000 m<sup>3</sup>/h.

Not requiring a plenum, the VAL diffuser is connected directly to the air duct or using an elbow.

**Benefits**

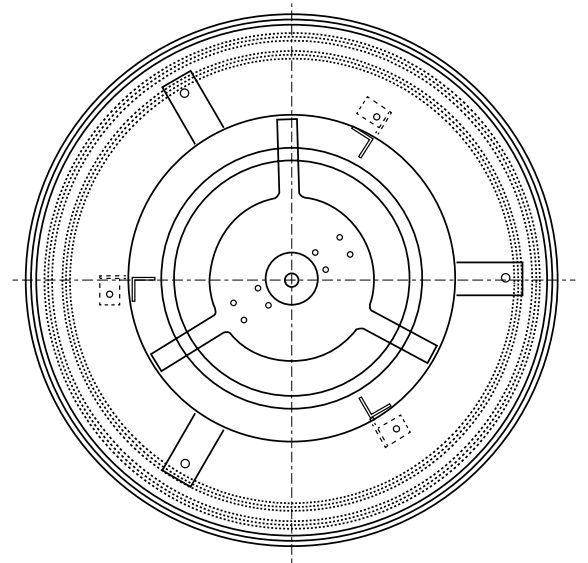
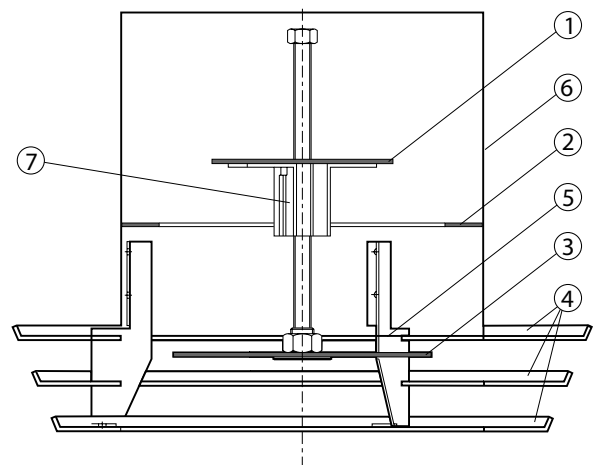
- Highly adjustable depth of penetration
- Suspended or recessed installation
- Suitable for heating and cooling
- Manual or motorized adjustment
- Attractive appearance

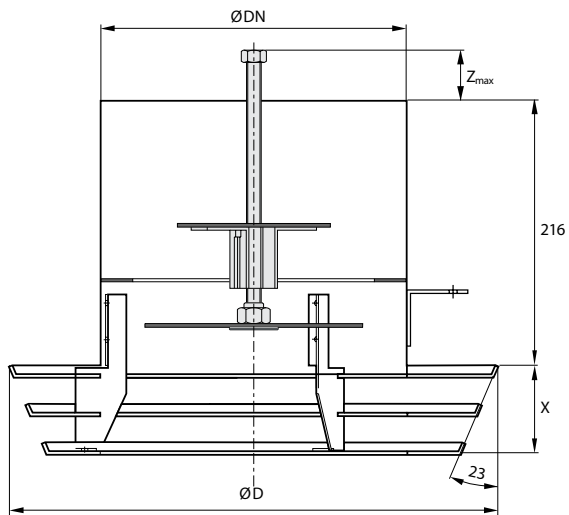
**Configuration**

The VAL air diffuser comprises a valve (1), a throttle ring (2), a connecting frame (3) and a second control ring (4). The design of the outer rings gives a conical appearance.

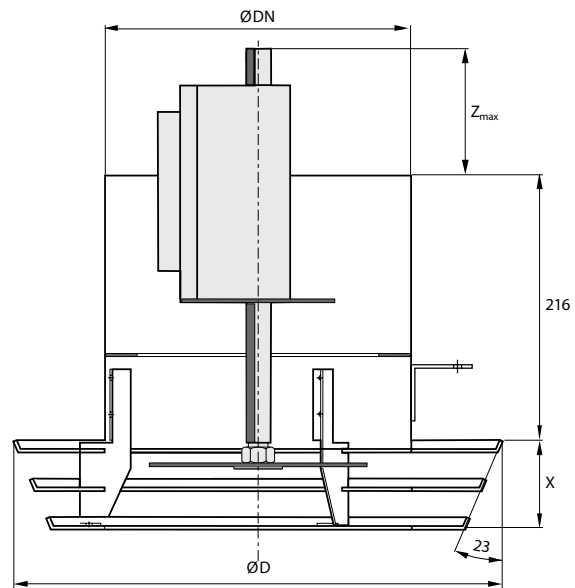
The different parts are attached to the main body (6) of the diffuser with spacers (5) forming a perfectly symmetrical unit.

The valve is equipped with a regulating mechanism (7) which permits a manual vertical movement of the connecting frame (3).





**manual adjustment**



**motorized adjustment**

Nominal size	250	315	400
Size X	69	86	110
Size Ø D	406	508	610
Size Ø d	251	302	403

**Codification**

VAL				Product
	250, 315, 400			Nominal dimension
		H = Manual adjustment M = Motorized adjustment		Adjustment
		9003 = White 9010 = Cream white 00SB = Solar Black (Standard matte black) 00SM = Silver Matte (Standard metallic grey) ___ = RAL color * (write the color number of RAL)		Diffuser color
VAL	250	H	9003	Annotation
				Example