



Inducto Submittal



NAD Klima
144 rue Léger, Sherbrooke (Qué) J1L 1L9
(819) 780-0111 • 1 866 531-1739
info@nadklima.com

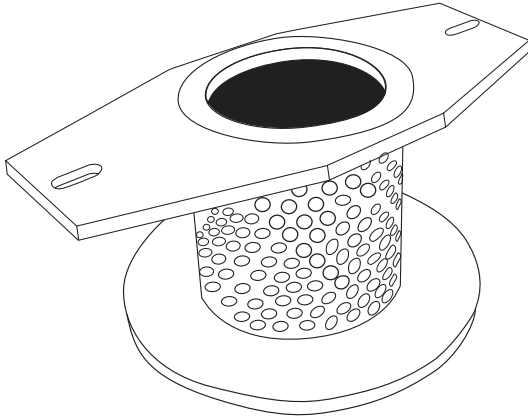
NAD Klima Ontario
2840, Argentia Road, Unit 6, Mississauga (Ont) L5N 8G4
(416) 860-1067
ontario@nadklima.com

Date

Project

Engineer

Contractor



The diffuser

- Under the seat diffuser
- Made of steel .
- Vertical column
- Supply by the floor.
- Central secondary air suction cone.
- Circular air diffusion grill..
- Matte black (00SB) colour.
- RAL colour available chosen by client.
- Connect directly to air supply duct.

Mode of operation

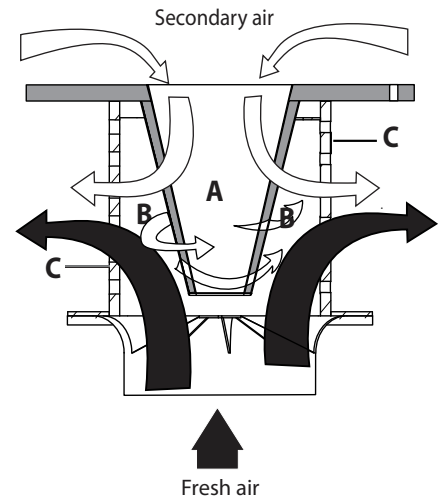
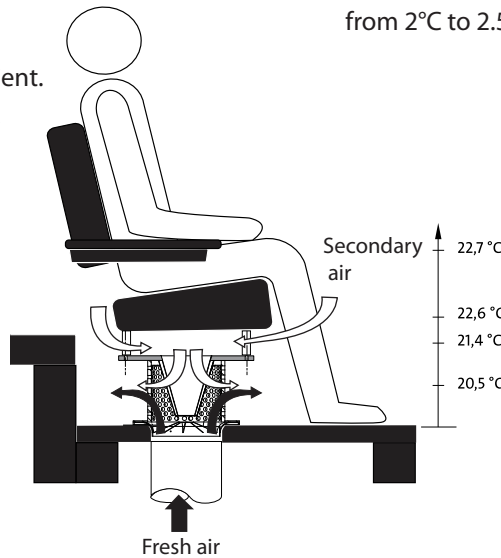
The INDUCTO diffuser which pushing air through a column, which may or may not support a seat, is supplied by the air supply system installed below the structural floor.

The vacuum effect developed at the base of the diffuser by the blown air's helical movement draws secondary air into the cone situated in the diffuser's center. (A)

The room's secondary air is sucked into the cone via an opening situated between the seat and the diffuser. The air is then directed into the diffuser's swirl chamber (B) and is mixed with fresh air, and subsequently is conveyed across the diffusion grill (C). This procedure creates a more homogenous airflow.

The room's secondary air, mixed with fresh air, doubles the quantity of room's air

The NAD Klima INDUCTO attains a temperature difference from 2°C to 2.5°C between the head and feet.



Codification

IND = INDUCTO	Product
6 = 6 pouces (150 mm) 8 = 8 pouces (203 mm)	Height
06 = 6 pouces (150 mm) 08 = 8 pouces (203 mm) 10 = 10 pouces (255 mm)	Diameter secondary air inlet
4 = 4 pouces (100 mm) 5 = 5 pouces (125 mm) 7 = 7 pouces (180 mm)	Diameter new air inlet
00SB = Solar Black (Standard matte black) ____ = RAL color (write the RAL color number)	Colour
IND 8 08 6 00SB	Example